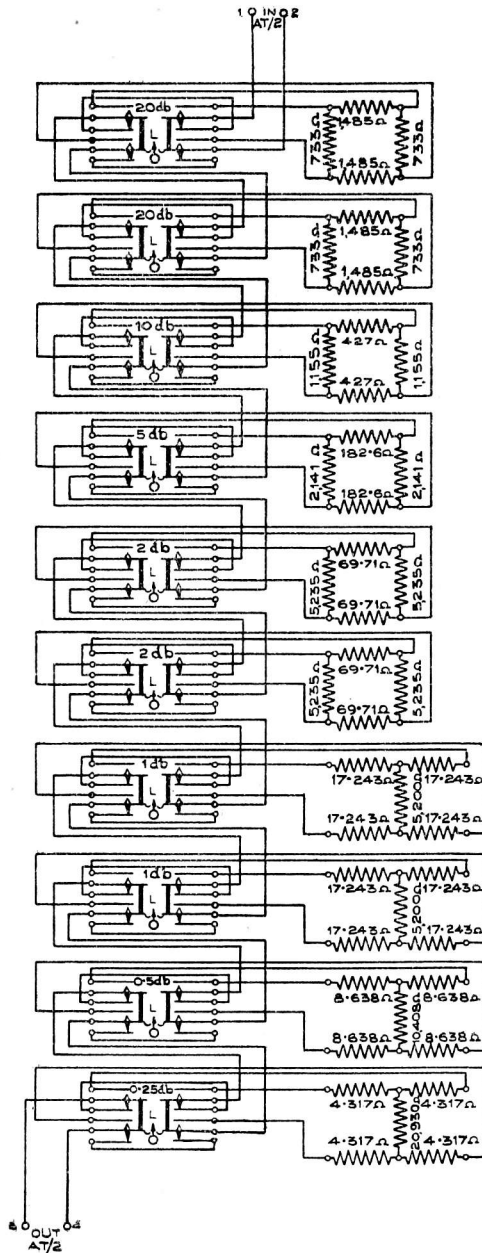


VARIABLE ATTENUATOR AT/2



This attenuator consists of a number of resistance pads having various values of attenuation, with keys for switching them in or out of circuit. The loss introduced by each pad is designated against the associated key and the total loss is obtained by adding the individual losses of the pads switched into circuit. The range of the attenuator is from 61.75 db. to zero loss, in steps of 0.25 db. It is designed to work into a resistance of 600 ohms and will give incorrect results if improperly terminated.

Drawing LS.513, Issue 3.