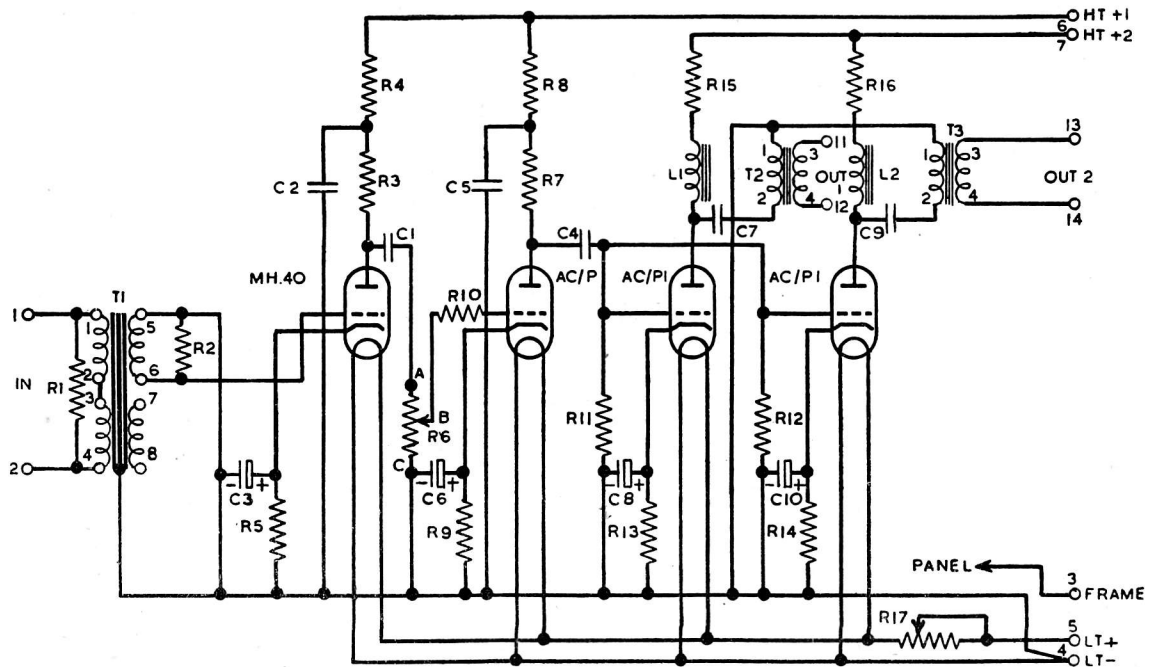


AMPLIFIER A/4B



Components Table

Component	Value or Type	Component	Value or Type	Component	Value or Type
C1	0.5 μ F	L1	D5	R9	1,000 Ω
C2	2 μ F	L2	D5	R10	500 Ω
C3	50 μ F	R1	500 Ω *	R11	500,000 Ω
C4	0.5 μ F	R2	150,000 Ω *	R12	500,000 Ω
C5	2 μ F	R3	100,000 Ω	R13	1,500 Ω
C6	50 μ F	R4	20,000 Ω	R14	1,500 Ω
C7	4 μ F	R5	2,000 Ω	R15	2,000 Ω
C8	50 μ F	R6	100,000 Ω	R16	2,000 Ω
C9	4 μ F	R7	25,000 Ω	R17	0.85 Ω
C10	50 μ F	R8	10,000 Ω		

* For Type IT256. In the case of Type CA4201-23, R1=400 Ω R2=250,000 Ω .

Transformers

T1.	Turns Ratio 1/14.5	Type IT256 or CA4201-23.
T2.	Turns Ratio 4.47/1	No. 105.
T3.	Turns Ratio 4.47/1	No. 105.

AMPLIFIER A/4B

Technical Instructions

Item 3(A/4B)

Issue 2. December, 1944

This amplifier is similar to the A/4A except for the use of automatic grid bias and the insulation from the frame of the input transformer.

As in the case of the A/4A, there is now no ribbon-microphone frequency correction in this amplifier.

Supply Data

Stage	Valve	Automatic	Anode Current	Filaments	
		Grid Bias		mA (approx)	Volts
		Volts negative			
1	MH.40	2.5	1.25	4	1
2	AC/P	6.0	6.0	4	1
3 (Main)	AC/P1	28.5	19.0	4	1
3 (Echo)	AC/P1	28.5	19.0	4	1
			—		—
		<i>Total</i>	45.25		4

High Tension Supply	H.T.+1 (Stages 1 & 2)	300 volts
	H.T.+2 (Output Stages)	..	300 volts
Low Tension Supply	6 volts (adjusted to 4 V. by a series resistance)