

R.F. POWER AMPLIFIER AM14/5

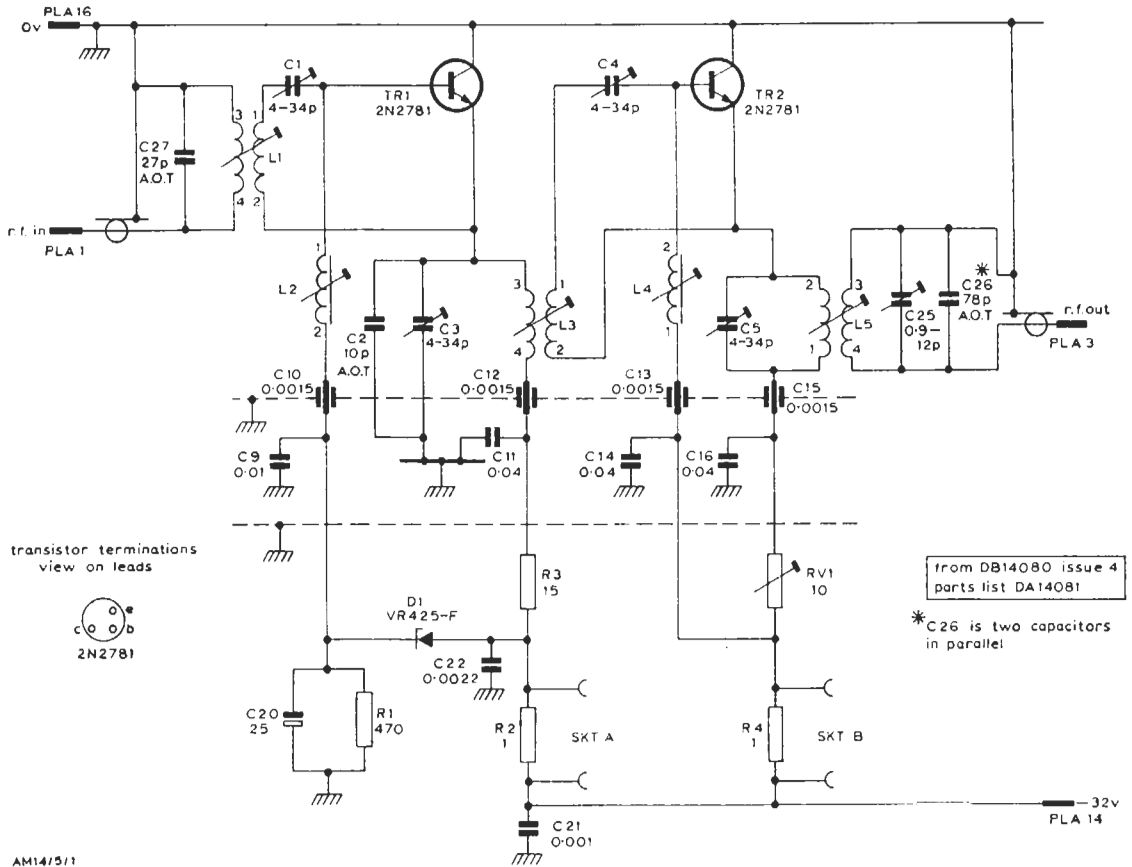


Fig. 1 Circuit of the AM14/5

The AM14/5 delivers an output of about 5 watts at a fixed frequency in Band II. It comprises the first two stages of an AM14/3 with minor modifications, and mechanically is a partly-equipped

version of that amplifier. Fig. 1 is a circuit diagram of the AM14/5, to supplement information given under the AM14/3 heading.

AJ 1/69