

THREE CHANNEL GAMMA AMPLIFIER AM19/508

Introduction

The AM19/508 is a 3-channel amplifier designed to apply gamma correction to three component colour signals. The unit consists of two subunits AM19/505 and AM19/506 and uses a PN3A/16B connector and two CH1/12A chassis. Signal input and output connections are by means of msa plugs.

General Specification

Inputs

- Video (non-composite) 0.7 V p-p each channel
- Mixed Sync Pulses 2 V p-p

Input Impedance 75 ohms

Outputs (gamma corrected non-composite video) 0.7 V p-p across 75 ohms

Output Impedance 75 ohms $\pm 0.25\%$

Propagation Delay 26 ns

Gamma Matching (between any two channels) To within 1% of peak output amplitude

Gamma Characteristic

- Down to 3.5% of input signal level power law of 0.4
- Black-level gain 18 dB gain

Frequency Response

- White ± 1 dB to 6 MHz
- ± 2 dB to 10 MHz
- Black -3 dB approx
- 6 dB approx

Power Requirements

6W, 230 V $\pm 20\%$, 50 Hz

Operating Temperature Range 10°C to 45°C ambient

Weight 4 lb total

General Description

Fig. 1 gives details of the unit interconnections. Full circuit details and description are given in the relevant Instructions.

References

1. Designs Department Specification No. 8.280(68)

AIB 2/70

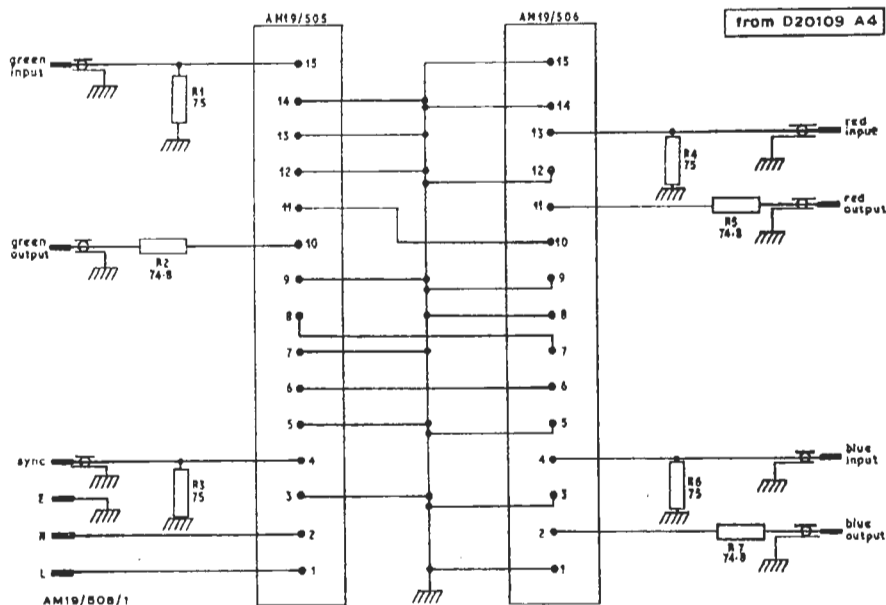


Fig. 1 Interconnection Diagram of AM19/508