

BIAS AND ERASE CURRENT MEASURING AMPLIFIER AM1/32

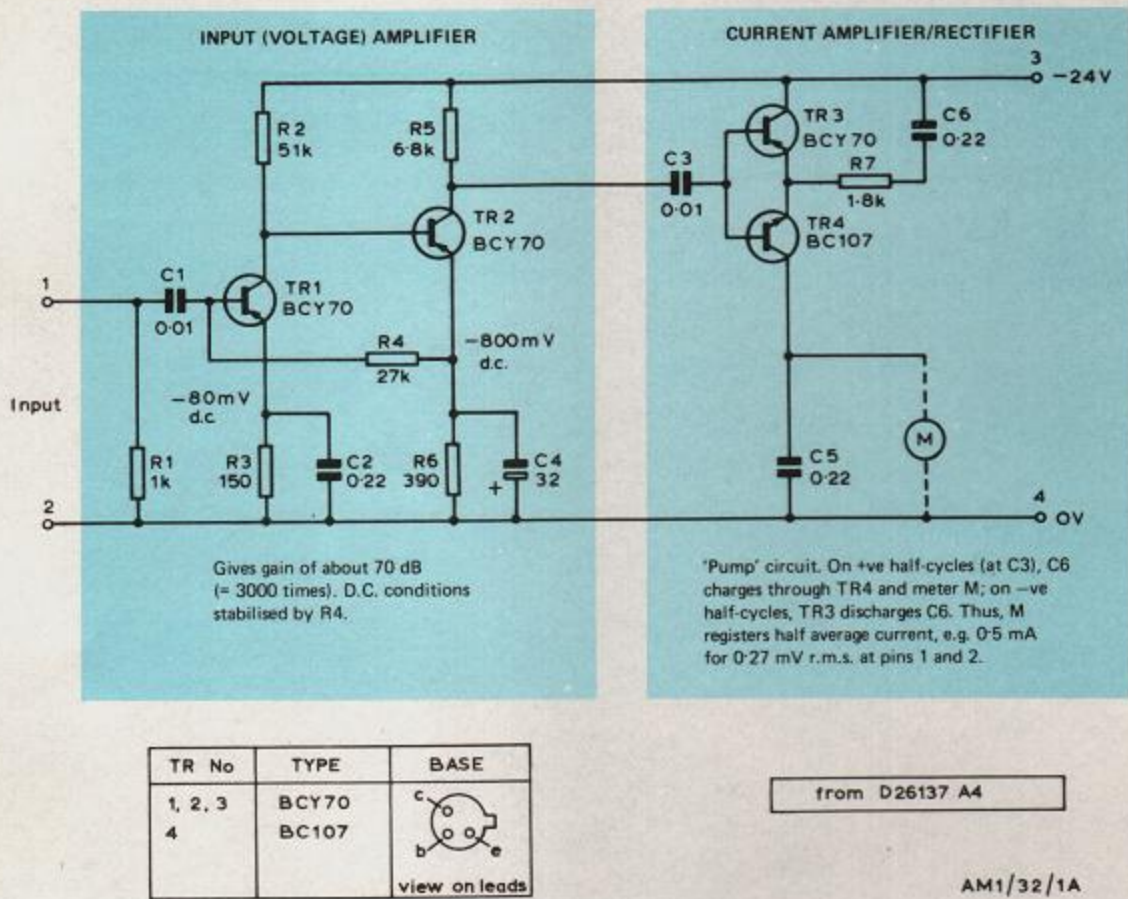


Fig. 1. Circuit of the AM1/32

**Introduction**

The AM1/32 amplifier accepts a 100-kHz sinewave input of varying level but about 0.27 mV, and from this produces a d.c. output suitable for measuring on a 0.5-mA centre-zero meter. The unit was designed to facilitate checking of bias and erase currents in the RD4/4 Stereo Magnetic Recorder, where it is included as a subsidiary part of the electronics assembly.

The unit requires a d.c. supply of -24 volts.

**Mechanical Details**

The AM1/32 is constructed on a printed wiring board measuring 2 1/4 inches square with two holes for mounting directly on the meter terminals. Signal

and d.c. supply connections to the amplifier are made via solder tags.

**Circuit Details**

Fig. 1 is an annotated circuit diagram of the AM1/32 showing the main functions.

**Maintenance**

Fig. 1 indicates essential d.c. and a.c. values in the AM1/32 measured under normal conditions of operation.