

SECTION 22

BISTABLE AMPLIFIER AM1/522

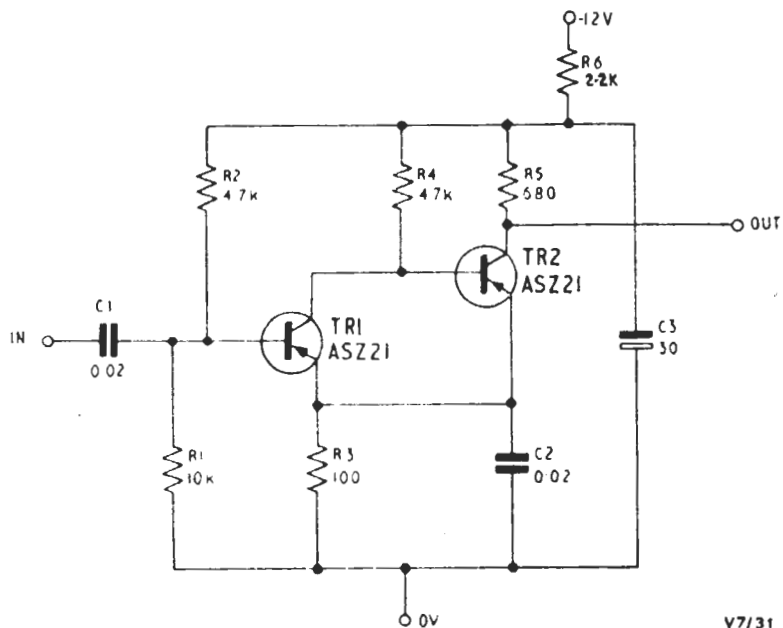


Fig. 22.1 Circuit of the AM1/522

The AM1/522 is a Schmitt trigger circuit<sup>1,2</sup> with the addition of a 0.02 μF capacitor in parallel with the emitter resistor to improve the high frequency performance of the circuit. The unit is constructed on a printed wiring board 4 $\frac{5}{8}$  inches by 1 $\frac{3}{32}$  inches.

**Bibliography**

1. Towers, T. D.; *Pumps and Schmitts*: Wireless World, Aug. 1964.
2. Newell, A. F. and Tourtel, P. A.; *Transistor Backlash Circuits*: Mullard Technical Communications, Vol. 6, No. 51.

MJR 10/66