

PULSE MATRIX BUFFER AMPLIFIER AM1/566

Introduction

The AM1/566 accepts six pulse signals and provides six pulse output signals at a gain of 0 dB.

The unit consists of six identical buffer amplifiers, constructed on a printed-wiring board and mounted on a CH1/12A chassis. Power supplies at +5 volts and -7 volts are provided by a PS2/22B power supplier mounted on the same chassis. Mains fuses and output monitor sockets are provided on the front panel of the unit.

General Specification

Voltage Gain	0 dB
Inputs	6
Outputs	6
Nominal Output Level	-2 volt p-p pulse or 1 volt p-p square wave

Output Impedance	75 ohms
Overload Point	+3 dB
Operating Temperature	10°C to 45°C
Index Pegs	11 and 43
Weight	2 lb.

Circuit Description

The circuit diagram, in which the circuit of one amplifier is given in detail, is shown in Fig. 1. The amplifier has a complementary feedback circuit with a high input impedance and a low output impedance. Variable resistor 1R3 is adjusted on test, under no-signal conditions, for zero d.c. at the output. The appropriate resistors on the other five amplifiers are adjusted in the same way.

TES 3/68

See overleaf for Fig. 1.

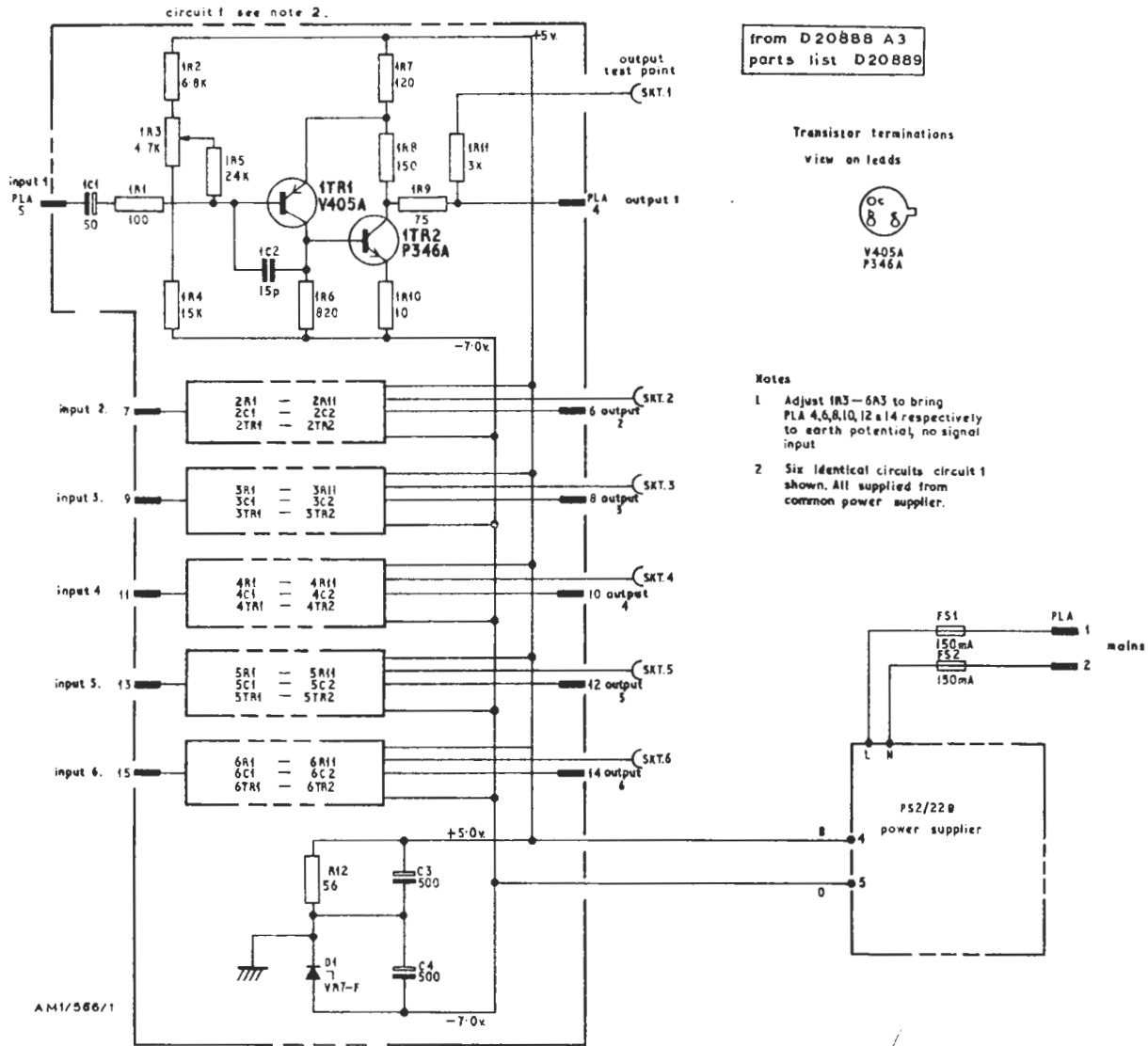


Fig. 1 Circuit of the AM1/566