

DISCRIMINATOR DRIVE AMPLIFIER AM1/576

The AM1/576 is a tuned amplifier operating at 5.208 kHz; it forms part of the UN15/503 discriminator. It is built on a panel 4⁵/₈in x 1¹/₄in and is mounted as part of the parent unit.

Reference

1. Design Department Specification No.4.56(69).

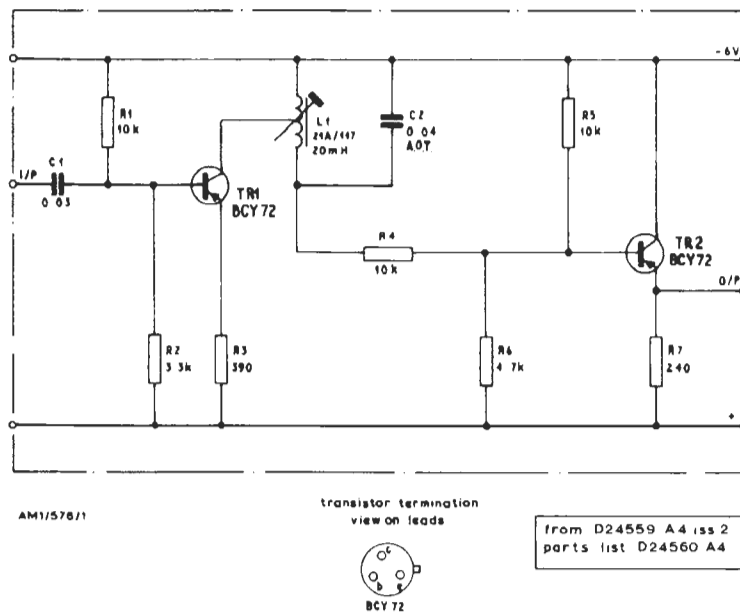


Fig. 1. Circuit of the AM1/576