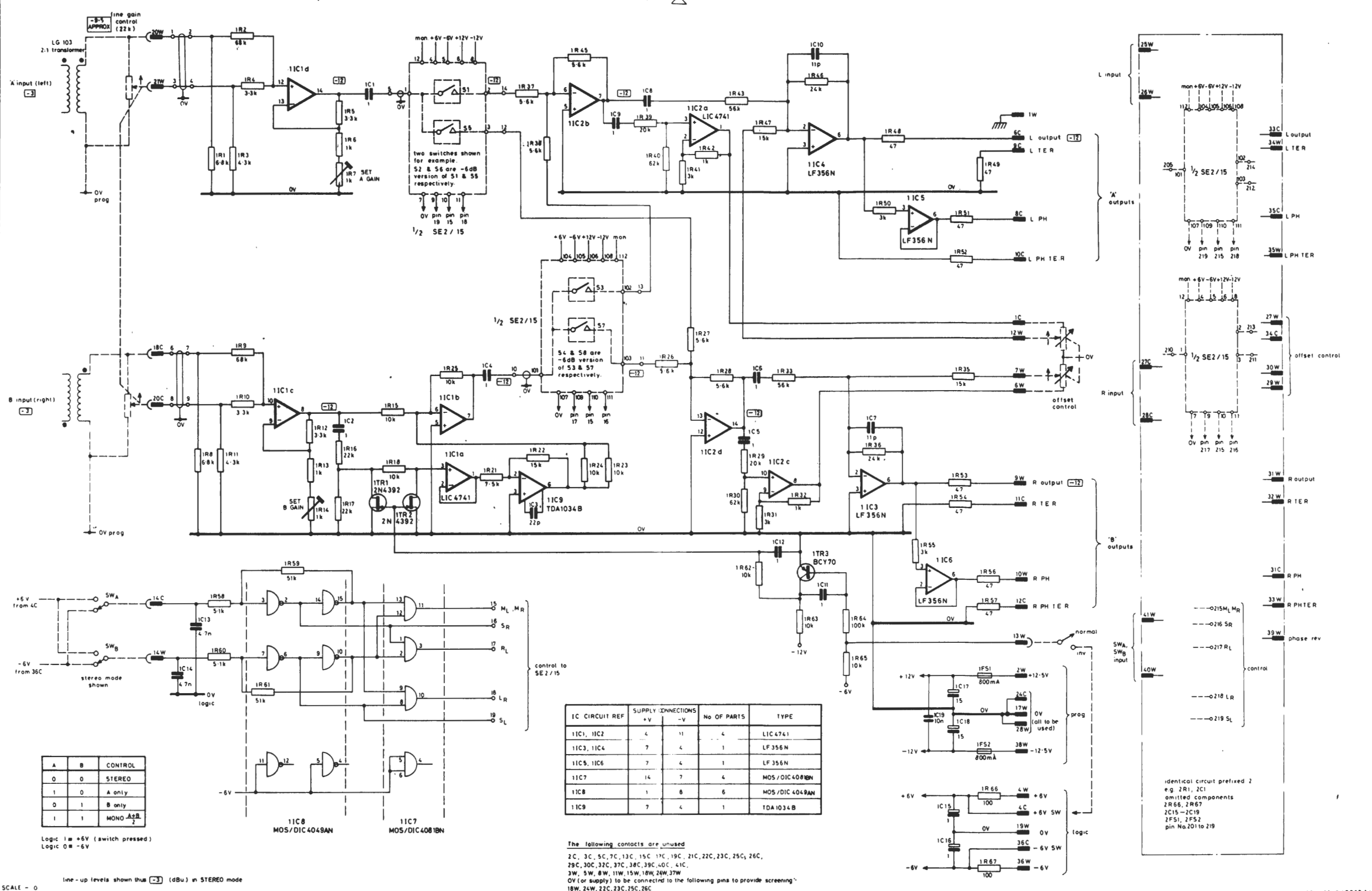


D47759 A 1



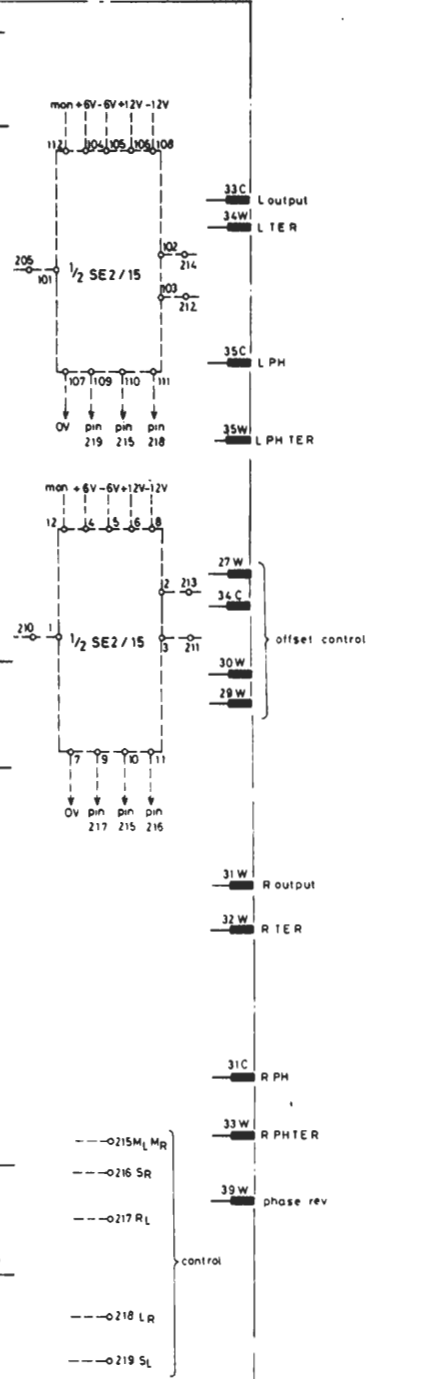
A	B	CONTROL
0	0	STEREO
1	0	A only
0	1	B only
1	1	MONO

IC CIRCUIT REF	SUPPLY CONNECTIONS	No OF PARTS	TYPE	
	+V	-V		
11C1, 11C2	4	11	4	LIC 4741
11C3, 11C4	7	4	1	LF 356N
11C5, 11C6	7	4	1	LF 356N
11C7	14	7	4	MOS/DIC 4081BN
11C8	1	8	6	MOS/DIC 4049AN
11C9	7	4	1	TDA1034B

The following contacts are unused
 2C, 3C, 5C, 7C, 13C, 15C, 17C, 19C, 21C, 22C, 23C, 25C, 26C,
 29C, 30C, 32C, 37C, 38C, 39C, 40C, 41C,
 3W, 5W, 8W, 11W, 15W, 18W, 24W, 37W
 OV (or supply) to be connected to the following pins to provide screening:
 18W, 24W, 22C, 23C, 25C, 26C

line-up levels shown thus (3) (dBu) in STEREO mode

SCALE - 0



identical circuit prefixed 2
 e.g. 2R1, 2C1
 omitted components
 2R66, 2R67
 2C15-2C19
 2F51, 2F52
 pin No 201 to 219

BBC
 DS/AV1
 This drawing/specification is the property of the British Broadcasting Corporation and may not be reproduced or disclosed to a third party in any form without the written permission of the Corporation.

THIRD ANGLE PROJECTION
 ORIGINAL FRAME SIZE 574mm x 821mm
 CHANGE
 1 26 II 80
 2 ICY, use MASTIC
 3 MOBILE 11CB
 4 MS, MIB/BC/CH
 5 JAB 27.4.3-2-88

AM1/58
 CHANNEL 1/P AMPLIFIER
 CIRCUIT
 DESIGNS DEPARTMENT
 D47759 A1

PARTS LIST D47760 A4
 All dimensions in millimetres unless otherwise stated
 Normal tolerances
 no decimal places - 1 mm unless
 one decimal place - 0.3 mm otherwise
 two decimal places - 0.1 mm standard
 DRN
 TCD
 CKD
 APPD
 58 H L T O 1488