

CARRIER AMPLIFIER AM2/507

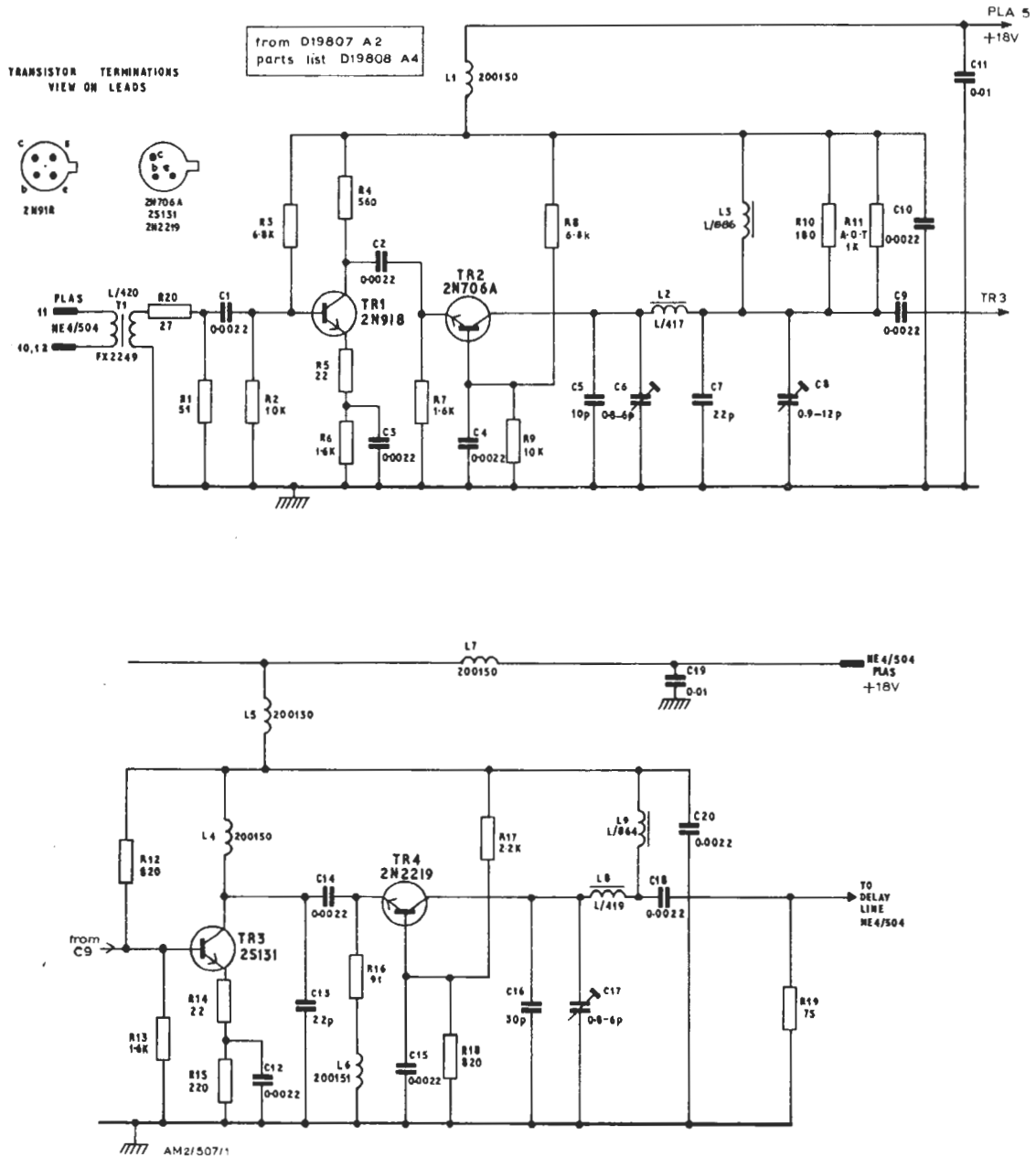


Fig. 1 Circuit of the AM2/507

The AM2/507 is a 26-dB vision amplifier operating at 30 MHz. It is constructed on a printed wiring board $4\frac{1}{8}$ in. by $3\frac{1}{4}$ in. which is mounted in a tinned-

copper screening can. The circuit of the AM2/507, given in Fig. 1, is similar to that of the AM2/501A. MJR 3/68