

CARRIER AMPLIFIER AM2/508

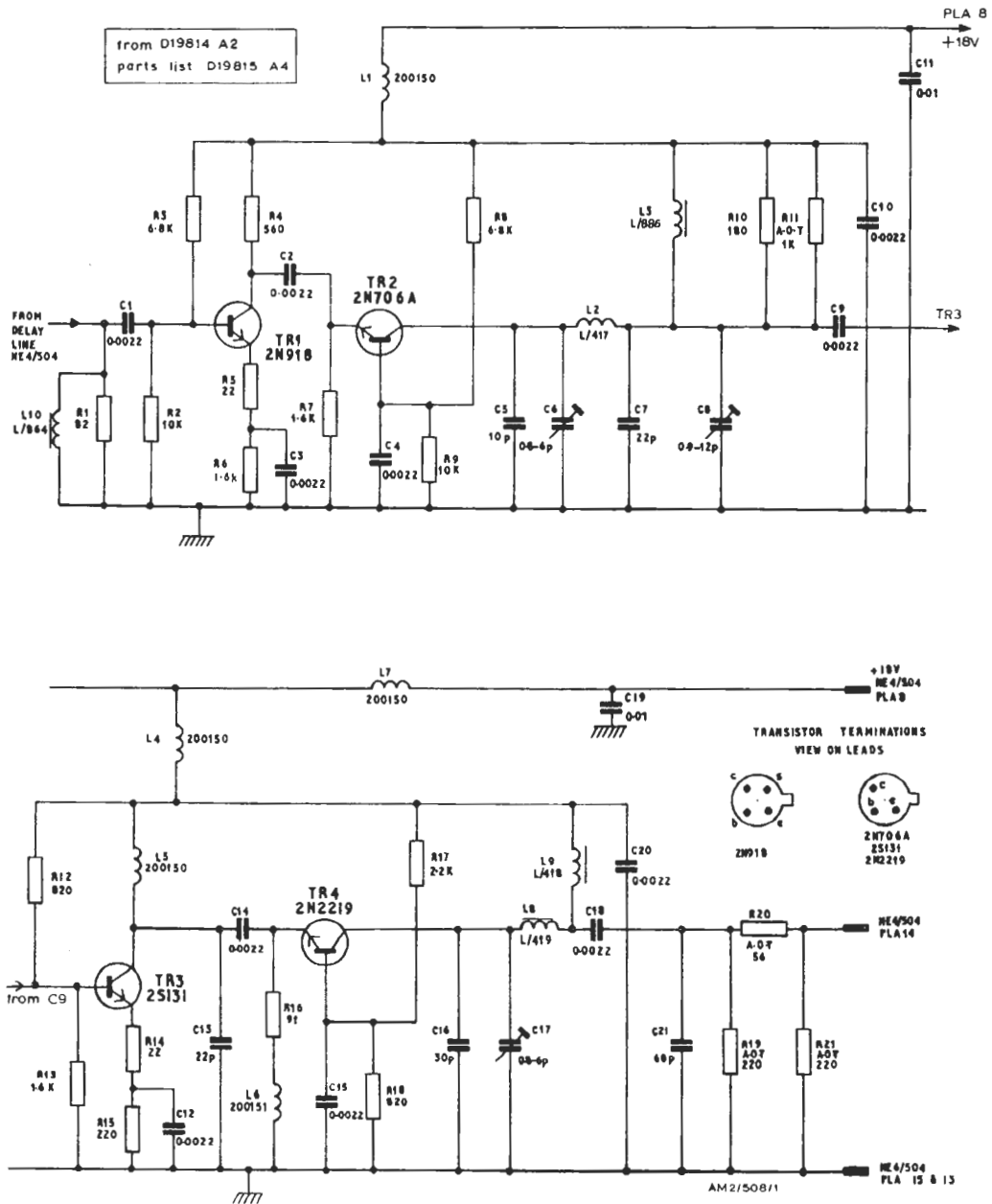


Fig. 1 Circuit of the AM2/508

The AM2/508 is a 30-dB vision amplifier operating at 30 MHz. It is constructed on a printed wiring board  $4\frac{1}{8}$  in. by  $3\frac{1}{2}$  in. which is mounted in a tinned-

copper screening can. The circuit of the AM2/508, given in Fig. 1, is similar to that of the AM2/501B. MJR 3/68