

DISTRIBUTION AMPLIFIER AM4/6

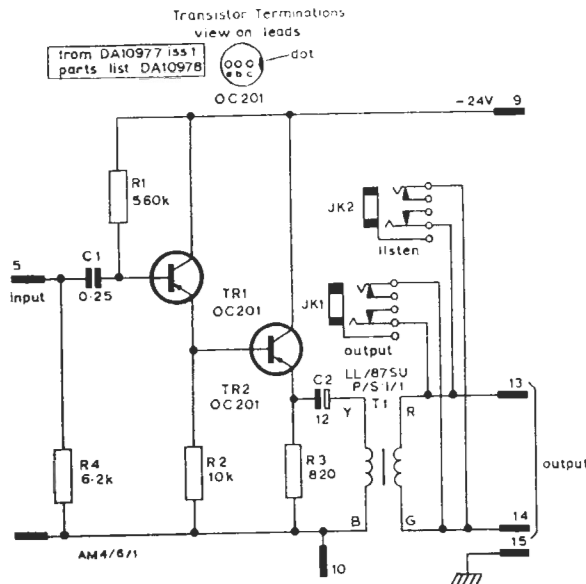


Fig. 1. Circuit of AM4/6

This amplifier forms part of constant volume speech amplifier AM1/6. The circuit is shown in Fig. 1.

The AM4/6 is a unity-gain double emitter-follower which provides a low-impedance balanced output for feeding a line. The output impedance is 30 ohms.

The amplifier is on a chassis CH1/18C with index peg positions 1 and 29.

JMC/JHH 11/69