

LIMITING AMPLIFIER AM6/1

This unit forms part of constant volume speech amplifier AM1/6 and its circuit is shown in Fig. 1. It amplifies the speech signal received from the compressor unit UN1/24, and clips the front edge of the speech envelope, which may be of relatively high amplitude compared with the rest of the envelope. Except for the front edge of the envelope of some signals, the compressor unit delivers

signals at a constant volume, which must be such that the output of the AM6/1 is about 8 dB below the overload point at which the speech is clipped.

The procedure for setting the gain of the AM6/1 to fulfil this condition is carried out on installation and should not subsequently be necessary.

This unit is on a chassis CH1/18C with index peg positions 5 and 30.

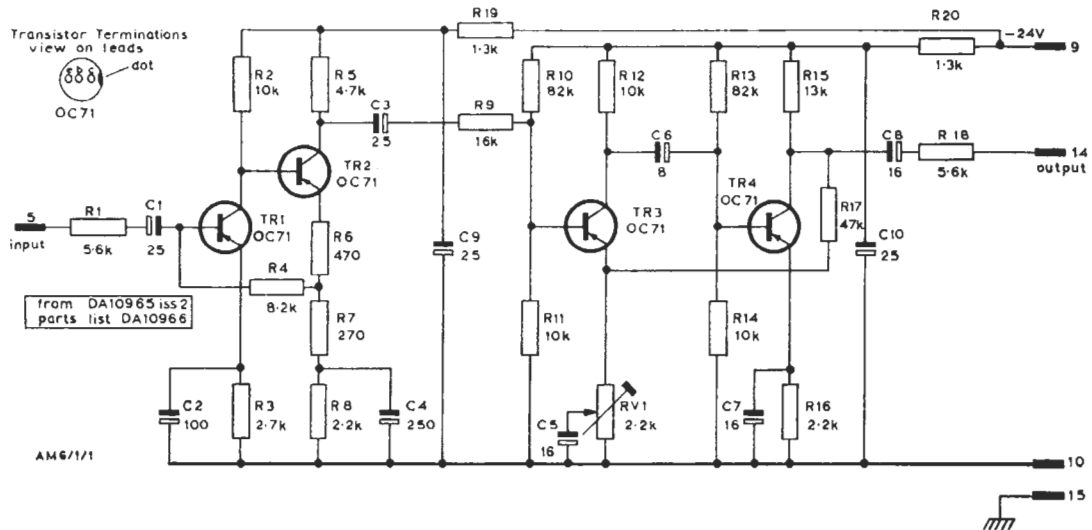


Fig. 1. Circuit of AM6/1

JMC/JHH 11/69