

SECTION 12

FIELD DIVIDER UNIT CO2/508

The CO2/508 is a divide-by-625 counter. The circuit of the CO2/508, shown in Fig. 12.1, is similar to part of the Picture and Field Unit UN17/503 (see Instruction V.14). It is used in a Drive Unit GE1/

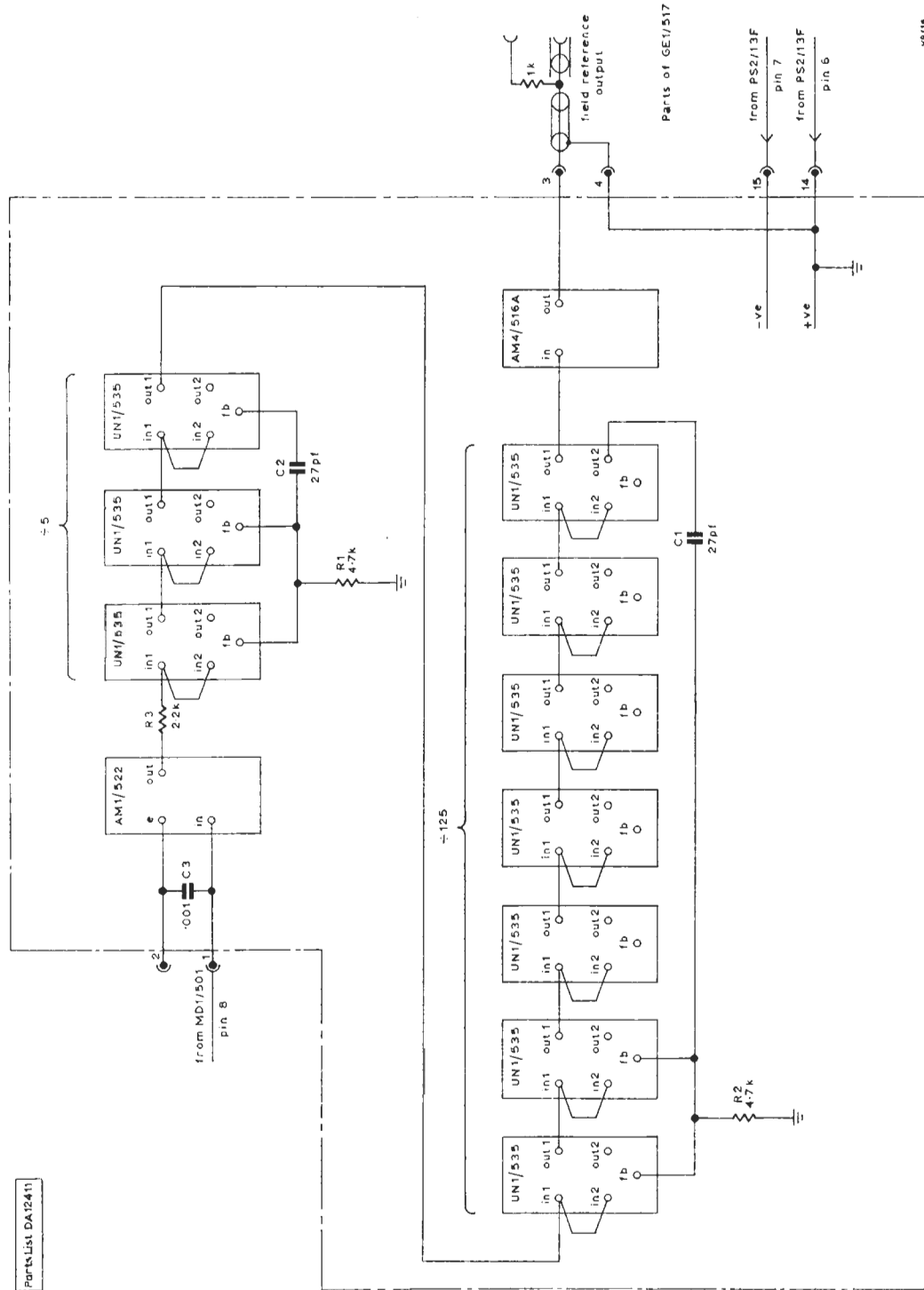
517 (Instruction V.10).

The CO2/508 is constructed on a CH1/26A chassis with index peg positions 6 and 27.

MJR 9/66

See overleaf for Fig. 12.1

Instruction V.9
Section 12



Parts List DA12411

Fig. 12.1 Circuit of the CO2/508