

SYNCHRONOUS DEMODULATOR DM2/509

The DM2/509 is a television synchronous demodulator operating at 37.5 MHz. It requires two inputs: the signal to be demodulated and a local-oscillator input at nominally the same frequency. It provides an output of the video modulation and also of an error signal which is zero when the input signals are correctly in phase.

The unit is built on a CH1/43 chassis with index pegs 5, 6 and 7.

A circuit diagram is given in Fig. 1 and the block diagram of Fig. 2 indicates the operation of the circuit.

The unit has been designed as part of the Transmitter Demodulator DM1M/501A.

Reference

1. Designs Department Specification No.6.183(71)

AIB 1/72

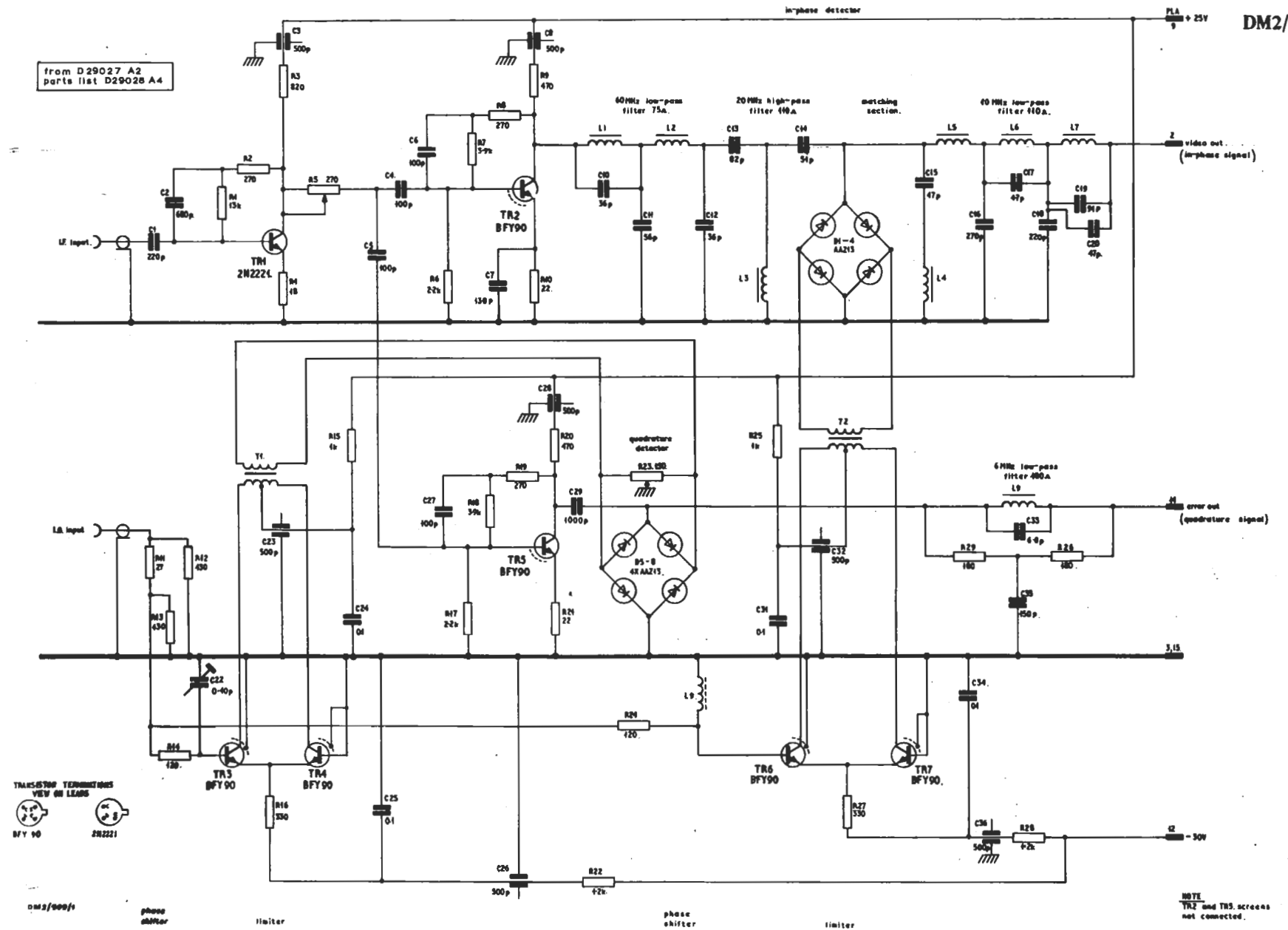


Fig.1 DM2/509: Circuit Diagram

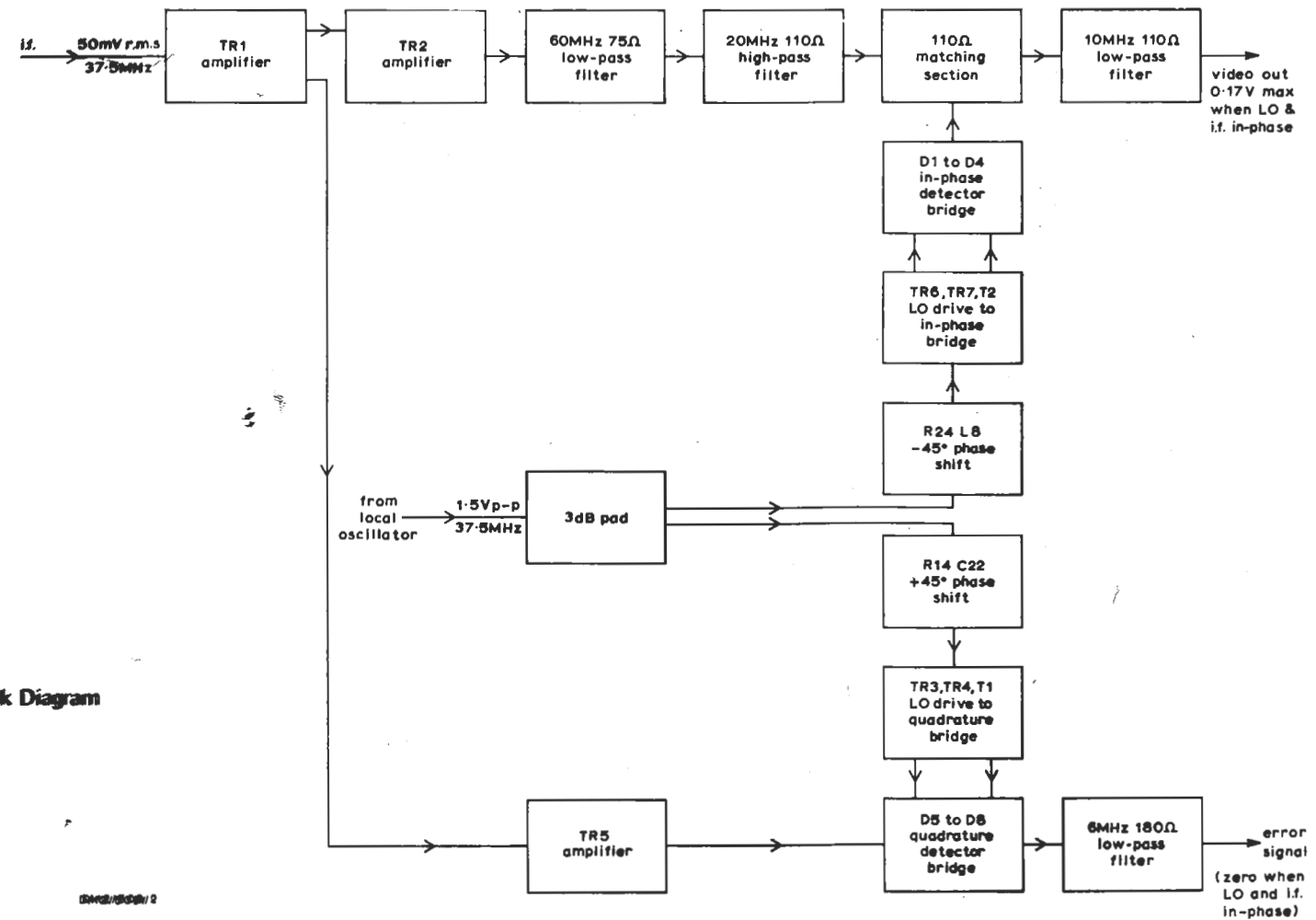


Fig.2 DM2/509: Block Diagram