

## DISK REPRODUCING EQUALISER EAT/12

**General**

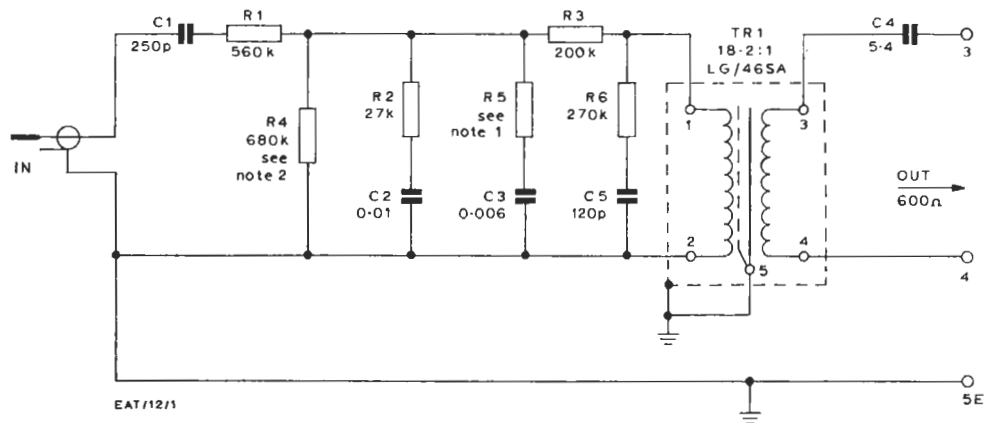
This equaliser (Fig. 1) is particularly intended for use with an Acos HGP 39-2 crystal pickup cartridge, designed for playing monophonic fine-groove recordings.

The pickup is connected directly to the EAT/12, which presents to it a high and capacitive impedance at low frequencies to minimise the effect of tempera-

ture changes on the pickup, and gives a 600-ohm output. The equaliser gives an overall response characteristic in accordance with British Standard 1928:1955 which is also in accordance with published American standards.

**Reference**

Disk Reproducer DRD/5.

**NOTES :-**

1. Value of resistor R5 to be determined & added on test to adjust H.F. response if necessary
2. Resistor R4 to be adjusted on test to adjust L.F. response if necessary

from EA8815  
parts list EA8814

Fig. 1. Circuit of the EAT/12

WG 10/58  
DPEB 5/70