

COLOUR SIGNAL STABILISER EQUIPMENT EP1/513

See also AM1/552, AM4/517, AM5/513, AM18/519, EQ5/517, EQ12/501, GE2/535B, IN2/502, PS2/13F, TE1/508, UN1/578, UN1/579, UN9/528, UN20/510.

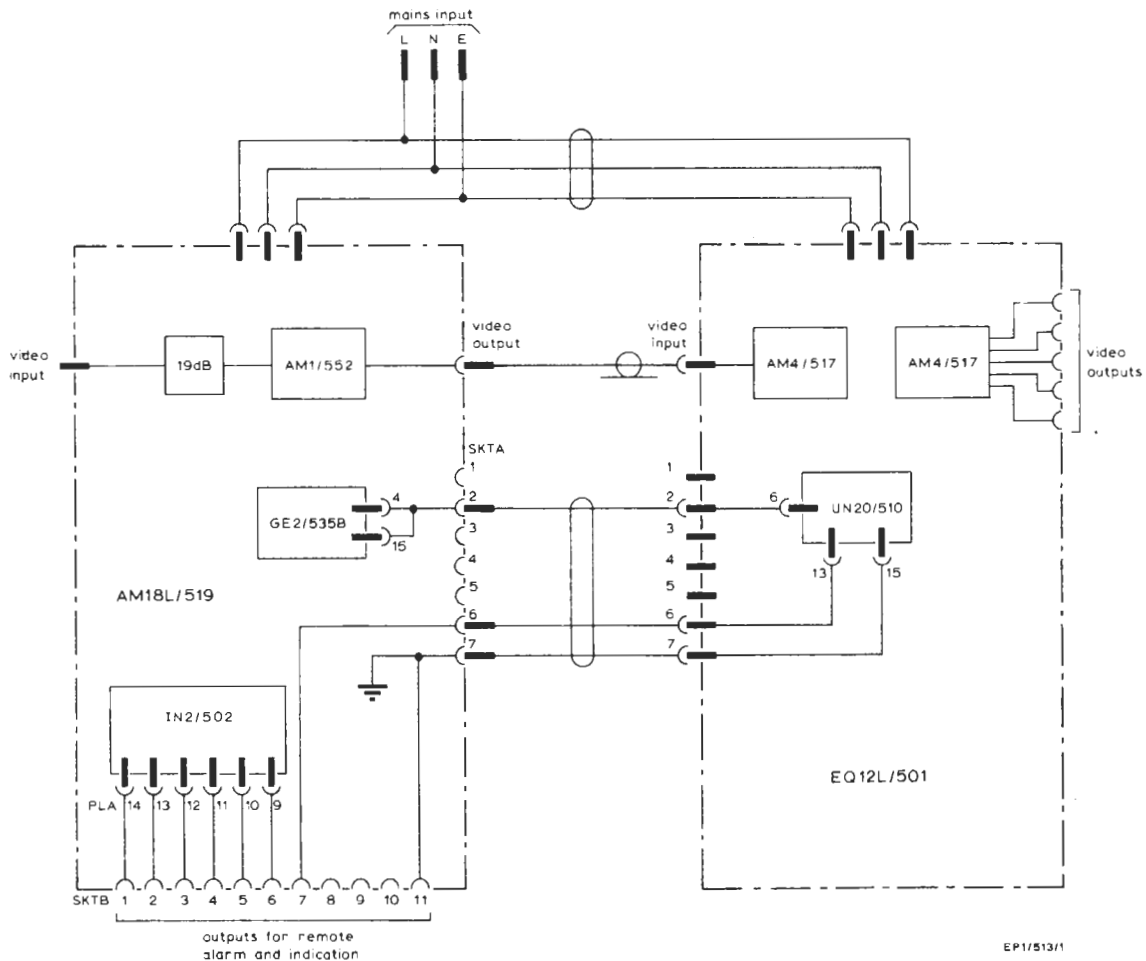


Fig. 1 Interconnection of Subunits in the EP1/513

Introduction (Figs. 1 and 2)

The EP1/513 accepts a single composite colour-video signal and provides five outputs each with a stabilised luminance level and luminance/chrominance gain ratio.

The equipment is built on two PN3/23 panels and comprises two main coded units:

- Stabilising Amplifier AM18/519, and
- Automatic Chrominance Equaliser EQ12/501.

Fig. 1 shows the interconnection of these units and certain subunits. Fig. 2 shows all subunit codes.

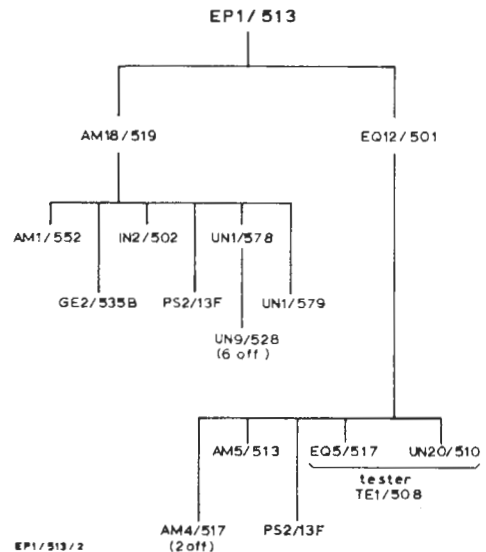


Fig. 2 EP1/513 Subunit Codes

**General Specification**

Input	Composite colour-video signal, 1 volt p-p.
Output	5 stabilised outputs, 1 volt p-p.
Input and Output Impedance	75 ohms
Operating Temperature	10 to 40 degrees C.
Power Requirement	240 volts 50 Hz.

**Test Schedule***Apparatus Required*

Oscilloscope  
625-line standard colour-video signal with added Insertion Test Signal.

*Test Procedure*

1. Check that the AM18/519 and the EQ12/501 are set up according to the relevant Instructions.
2. Connect the video input signal to the AM18/519.
3. Check that the Insertion Test Signal at the output of the EQ12/501 has a luminance component of one volt p-p.
4. Check that both lamps on the IN2/502, in the AM18/519, are off and the star-indicator on the UN20/510, in the EQ12/501, is on.
5. Check that the level of the chrominance signal, on the chrominance bar of the Insertion Test Signal, measured at the output of the EQ12/501, is 0.7 volt p-p.
6. Remove the video input signal.
7. Check that the Low lamp on the IN2/502 is on and that the star-indicator on the UN20/510 is off.

LPB 2/72