

BANDPASS FILTER FL2/2

This filter (Fig. 1) forms part of constant volume speech amplifier AM1/6 and also of microphone amplifier and mixer panel PA1M/60. It is made up of two conventional constant-*k* filters, one high-pass having a cut-off frequency of 280 Hz and the other lowpass having a cut-off frequency of 3650 Hz. The two filters are connected in tandem, and the nominal bandwidth is thus 280-3650 Hz.

The FL2/2 removes the distortion products that may have arisen as a result of the clipping process in the limiting amplifier AM6/1, which immediately precedes it in the AM1/6 chain. It also attenuates the distortion products generated in the telephone transmitter.

This unit is on a chassis CH1/18C with index peg positions 1 and 7.

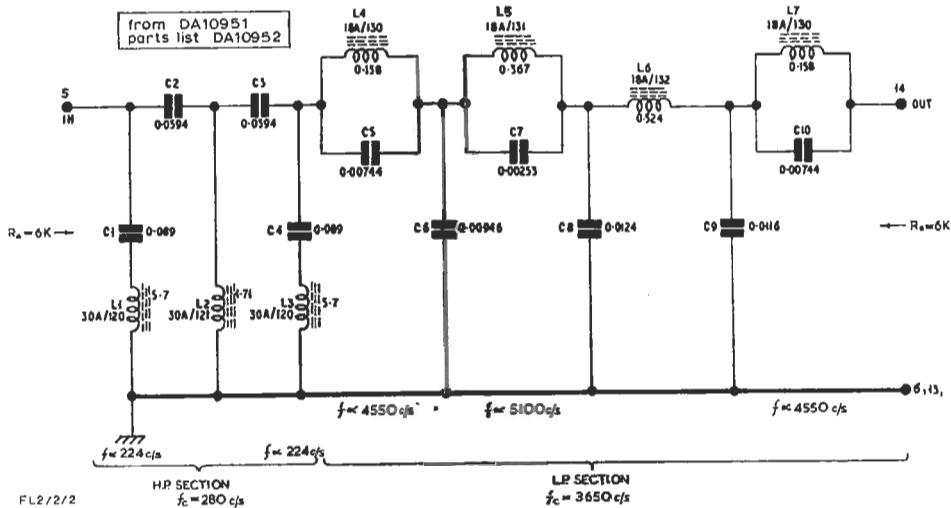


Fig. 1. Circuit of FL2/2

JMC/JHH 11/69