

LOW-PASS FILTER FL4/33

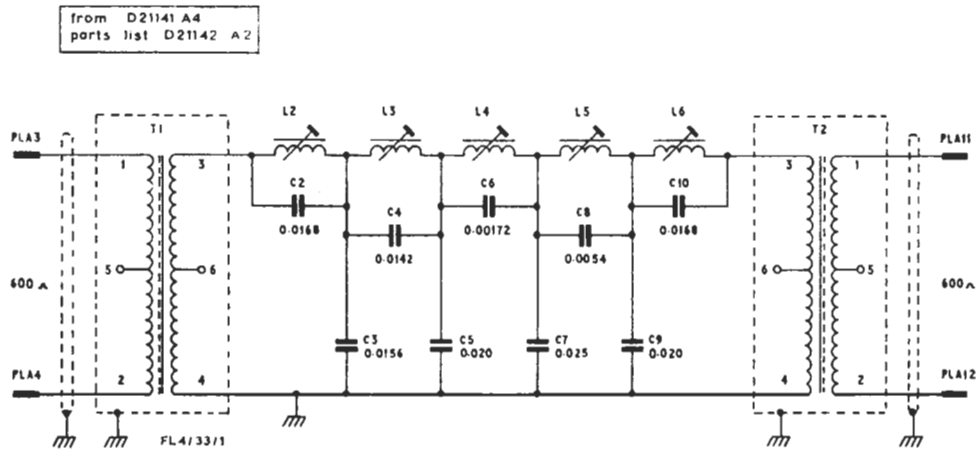


Fig. 1 Circuit of the FL4/33

The FL4/33 is designed to reject frequencies above 18.5 kHz. The insertion loss is 2 dB  $\pm$  1 dB and the attenuation at 19 kHz and above exceeds 50 dB. The input and output are balanced and, up to 15 kHz, they have impedances of 600 ohms. At the rejection frequencies these impedances rise,

and this must be taken into consideration when making calculations of relative levels.

Fig. 1 shows the FL4/33 circuit. The filter is built on a CH1/12A chassis with index peg positions 14 and 33.

LPB 8/67