

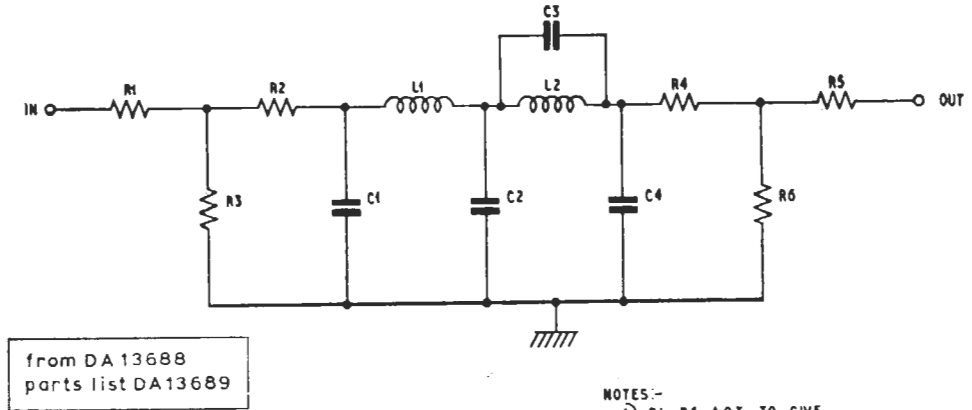
LOW PASS FILTER FL4/520

The FL4/520 is a low pass filter used in the output circuit of the MD1/503A Modulator Unit when forming part of an MD1/502 Wide Band Sound and Vision Modulator. Its function is to remove unwanted modulation products. The circuit diagram is given in Fig. 1. The filter is

built on a printed board and wired directly into circuit.

Reference

1. Designs Department Specification No. 4.18(65).



from DA 13688
parts list DA13689

FL4/520/1

NOTES:-

- 1) R1-R6 A.O.T. TO GIVE REQUIRED ATTENUATION.
- 2) FOR VALUES FOR USE ON G23 VISION AND F.M. SOUND CONSULT DESIGNS DEPARTMENT.

Fig. 1. Circuit of the FL4/520

AIB 6/70