

DRIVE PULSE UNIT GE2/513

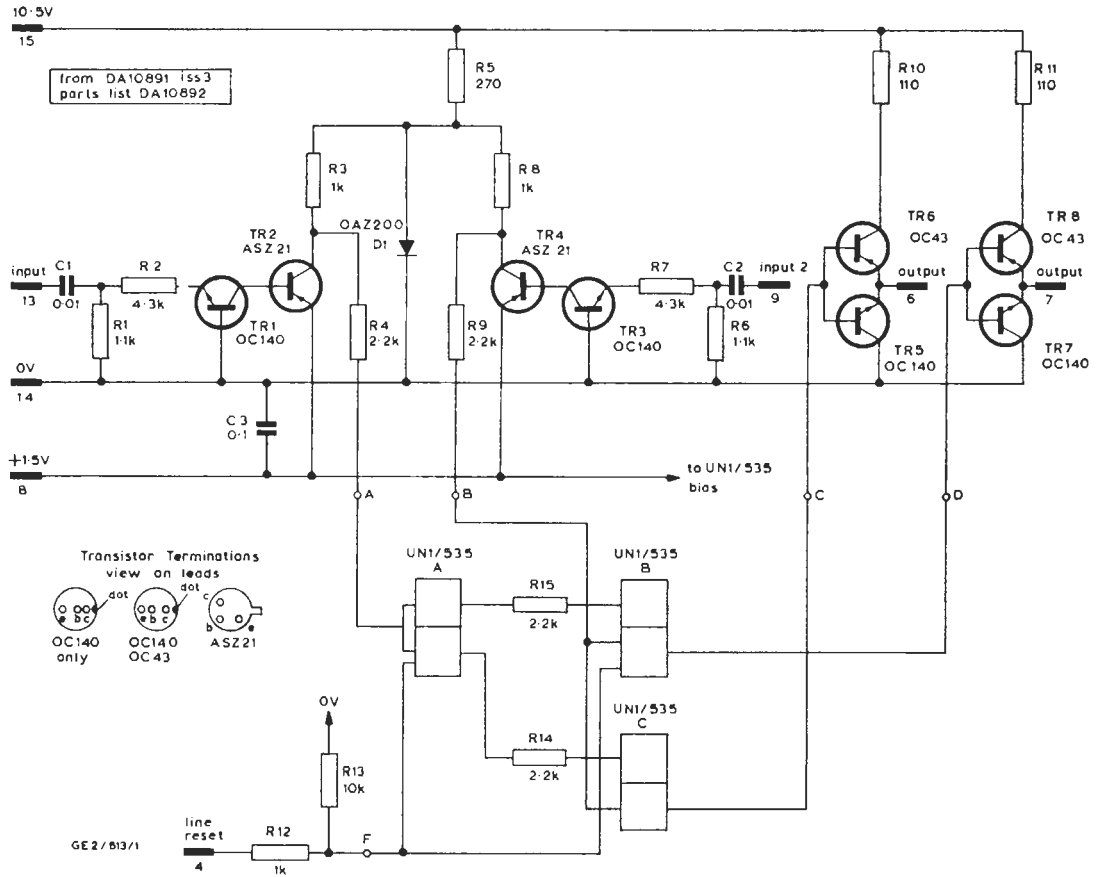


Fig. 1 Circuit of the GE2/513

Introduction

The GE2/513 accepts two sets of interleaved negative-going timing pulses and produces two sets of interleaved negative-going output pulses at half the repetition rate of the input pulses. The timing of both edges of the output pulses is determined by the input pulses. A positive voltage on a reset input terminates any unfinished pulses.

The GE2/513 is constructed on a CH1/12A chassis with index-peg positions 9 and 17.

Description

Fig. 1 shows the circuit of the GE2/513. Input pulses are inverted and clipped by two 2-stage amplifiers. The outputs of these amplifiers are limited to about 5 volts p-p by zener diode D1. Fig. 2 shows the relationships between the input and output waveforms.

Test Procedure

The GE2/513 is tested as part of its parent unit.

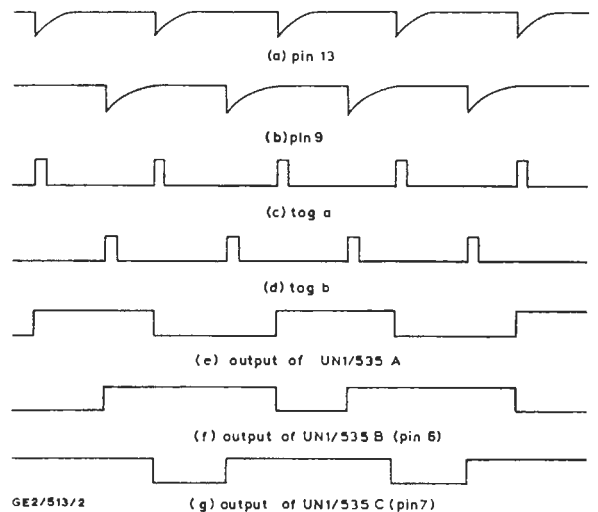


Fig. 2 Waveforms in the GE2/513