

### PRE-FIELD PULSE GENERATOR GE2/530

#### Introduction

The GE2/530 accepts a feed of negative-going field-frequency pulses and provides a positive-going field-frequency output signal which is used as a blanking waveform in an associated parent unit<sup>1</sup>. The GE2/530 is mounted on a printed-wiring card which plugs into a socket on the parent unit. Power supplies at -24 volts are required.

#### Circuit Description

The circuit diagram is given in Fig. 1. The input signal is clipped and inverted by TR1 and is then applied via emitter-follower TR2 to a monostable

multivibrator comprising transistors TR3 and TR4. The negative-going pulse developed at the emitter of TR4 is amplified, inverted and clipped in TR5 and is then fed to the output of the unit via C5.

The signal developed at the collector of TR5 is applied also to the detector stage TR6. The output from this stage is amplified by TR7 and is then applied as negative feedback to the base of emitter-follower TR2 to stabilise the working point of the stage.

#### References to Typical Associated Equipment

1. Waveform Suppression Unit UN1/556

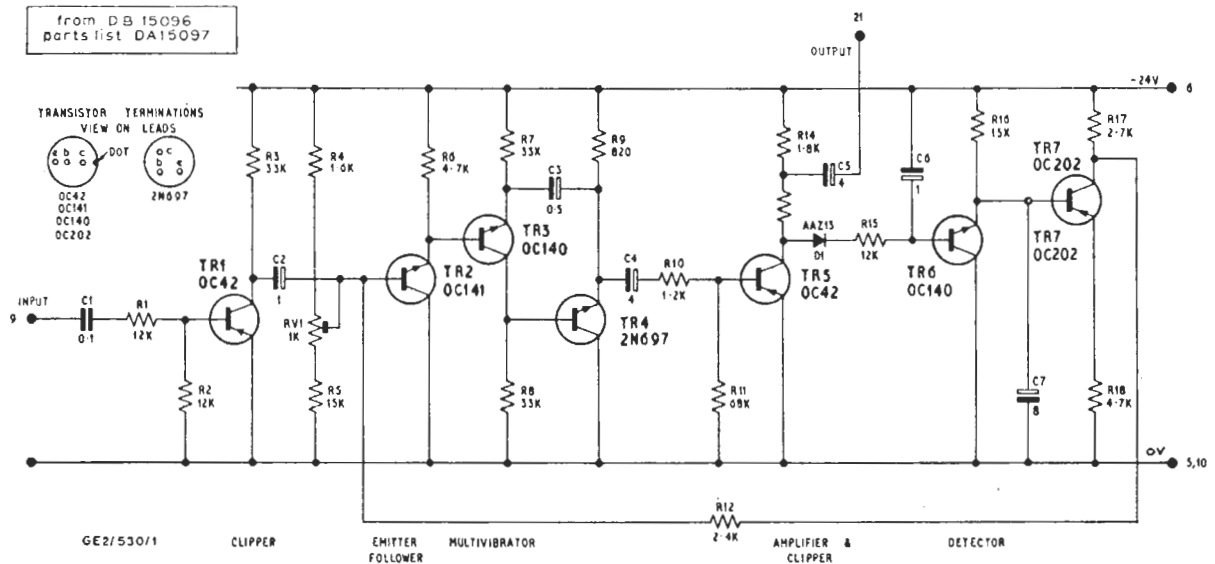


Fig. 1 Circuit of the Pre-field Pulse Generator GE2/530