

NETWORKS NE1/510 AND NE1/511

The NE1/510 and NE1/511 are small relay panels used in the conversion of the Split Screen Unit UN4/502 to UN4/502B. They consist of printed circuit cards 4" x 1½" on which the relays are mounted. The panels are mounted by means of L shaped brackets to the back of the parent unit.

The circuit diagrams are given in Fig. 1 and Fig. 2. Maintenance is not required.

Reference

1. Designs Department Specification No.8.216(66)

AIB 2/70

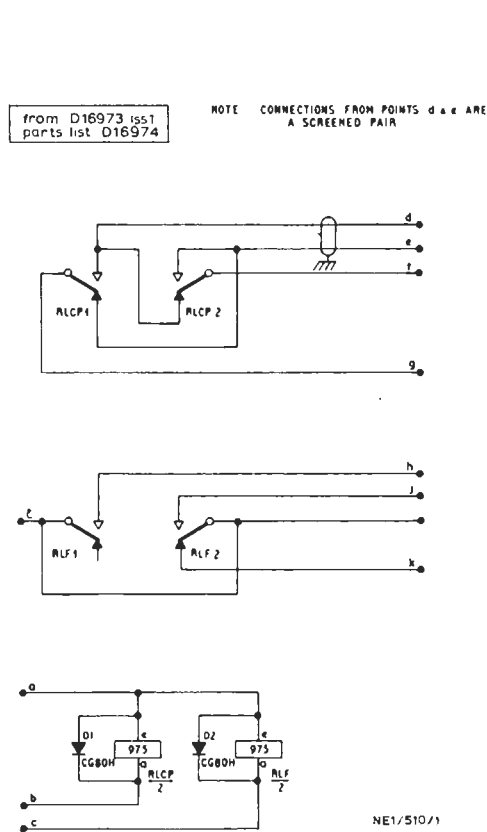


Fig. 1 Circuit of NE1/510

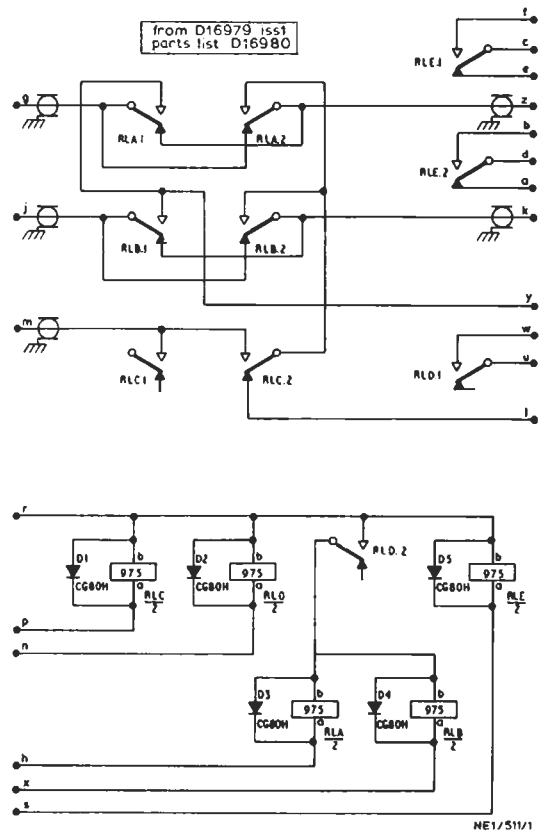


Fig. 2 Circuit of NE1/511