

CAPTION EFFECTS NETWORK NE1/512

The NE1/512 is a transistor network used in the modification of the Switch Pulse Generator GE2/506 to GE2/506A. It consists of five transistors and associated components mounted on a printed card measuring approximately 4" x 1½".

TR1 and TR2 form an emitter coupled pair fed with line switching pulses and giving an output from each collector (i.e., one positive going and one negative going); the output is selected by means of an external relay mounted on the parent unit. The pulses from TR1 or TR2 are fed to a complementary-amplifier pair, TR3/TR4, coupled

by R11 to TR5 which operates as a common base amplifier feeding pulses back into the parent unit. If, however, caption switching pulses are fed to the base of TR5, TR3 is cut off by the increased bias across R11 and only the caption switching pulses are passed through.

Maintenance is not normally required.

Reference

1. Designs Department Specification No.8.216(66)

AIB 2/70

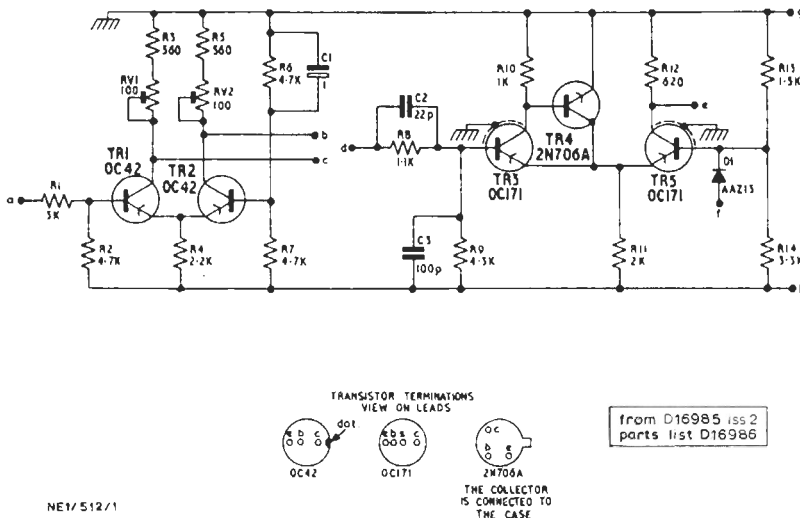


Fig. 1 Circuit of NE1/512