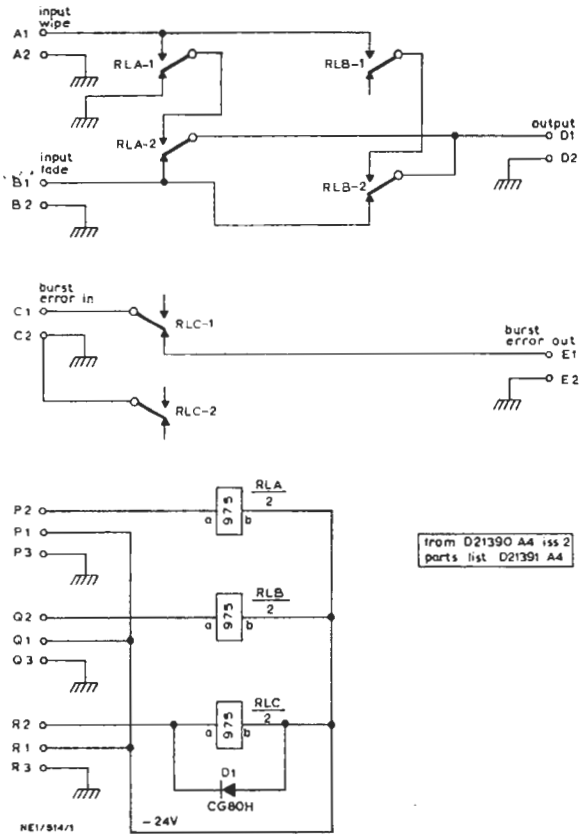


RELAY NETWORK NE1/514



The NE1/514 forms part of a Stabilising Amplifier AM18/503A. The network accepts two video signals and a burst-error signal; it selects one of the video inputs as an output by means of lapped changeover relay contacts and, for colour working, it routes the burst-error signal to the appropriate section of the stabilising amplifier. For monochrome working the burst-error signal path is open-circuited.

The network consists of three Clare-Elliott type F relays mounted on a printed-wiring board. The circuit diagram is given in Fig. 1.

Fig. 1 Circuit of the NE1/514

TES 3/69