

SECTION 5

RELAY PANEL PA17/505

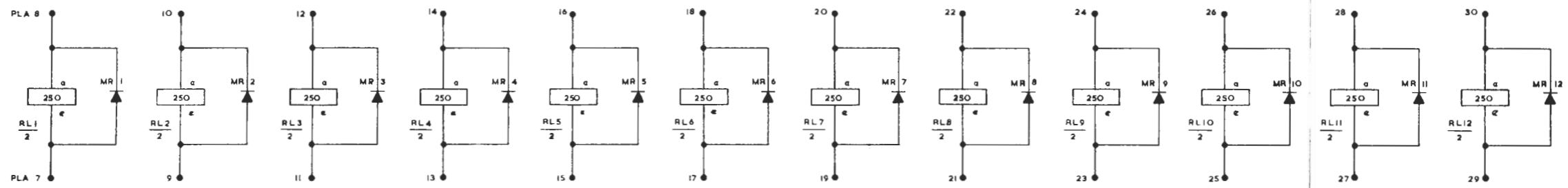
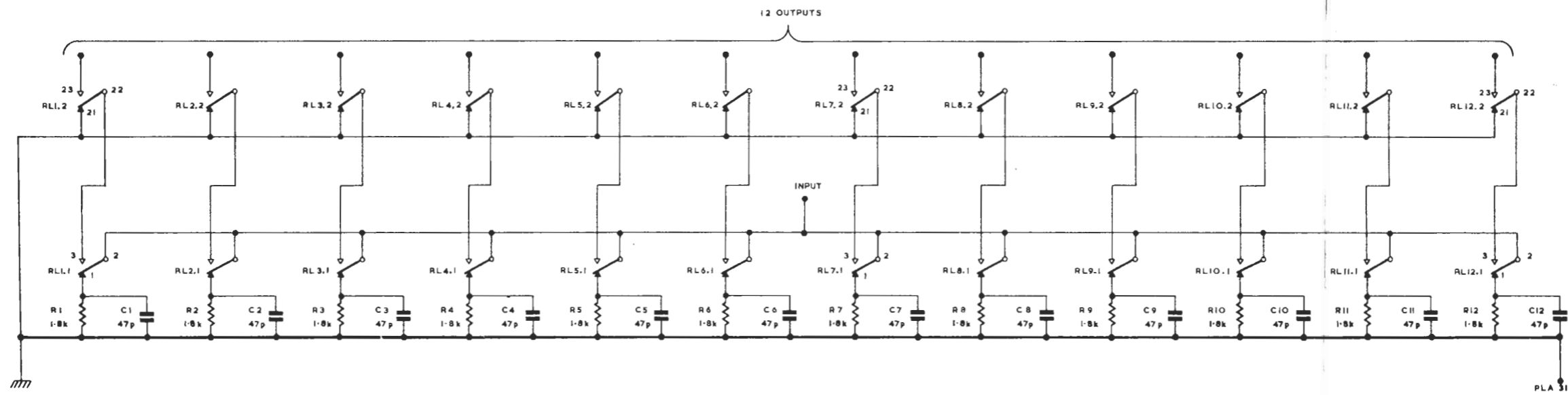
This panel carries twelve wire-contact video relays which switch a single video input to any combination of 12 outputs. Twelve separate relay-control d.c. inputs are required.

The circuit is given in Fig. 5.1. When an output is not in use a dummy load of 1.8 kilohms and 47 pF is connected across the input to maintain a

constant input impedance of 150 ohms in parallel with 560 pF.

Use of the panel in video and pulse matrix switching systems is described under PA9/503. The amplifier, type AM1/511 (pulse) or AM1/514 (video) is described in Instruction V.7.

See page 5.3 for Fig. 5.1



V13/37T

RL1-12 ERICSSON TYPE N29610 ED7
MR1-12 A.E.I. TYPE CG 80H

Fig. 5.1 Circuit of the PA17/505