

AUTOMATIC CONTROL RELAY PANEL PA17/508

The PA17/508 forms part of a telecine equipment^{1,2}. It provides low-voltage d.c. signals for controlling the motors of the associated telecine machine and a set of buffer relays to isolate the telecine control voltages from the station 50-volt supply.

The panel consists of 20 P.O. type 3000 relays mounted on a PN1/9B chassis. It draws about 100 mA from the station 50-volt supply when in a passive state and about 500 mA under maximum-load conditions. The 10 relays which form the control circuit of the panel are used in identical

form on many telecine installations and are known colloquially as a *think* unit.

The circuit diagram is given in Fig. 1. The panel is described, in conjunction with associated control circuits, in the Instruction on the parent equipment^{1,2}.

References

1. 16-mm. Vidicon Telecine EP6/501 (see Designs Dept. Technical Memorandum No. 7.133)
2. 16-mm. Colour Telecine Equipment EP6/505

TES 4/69

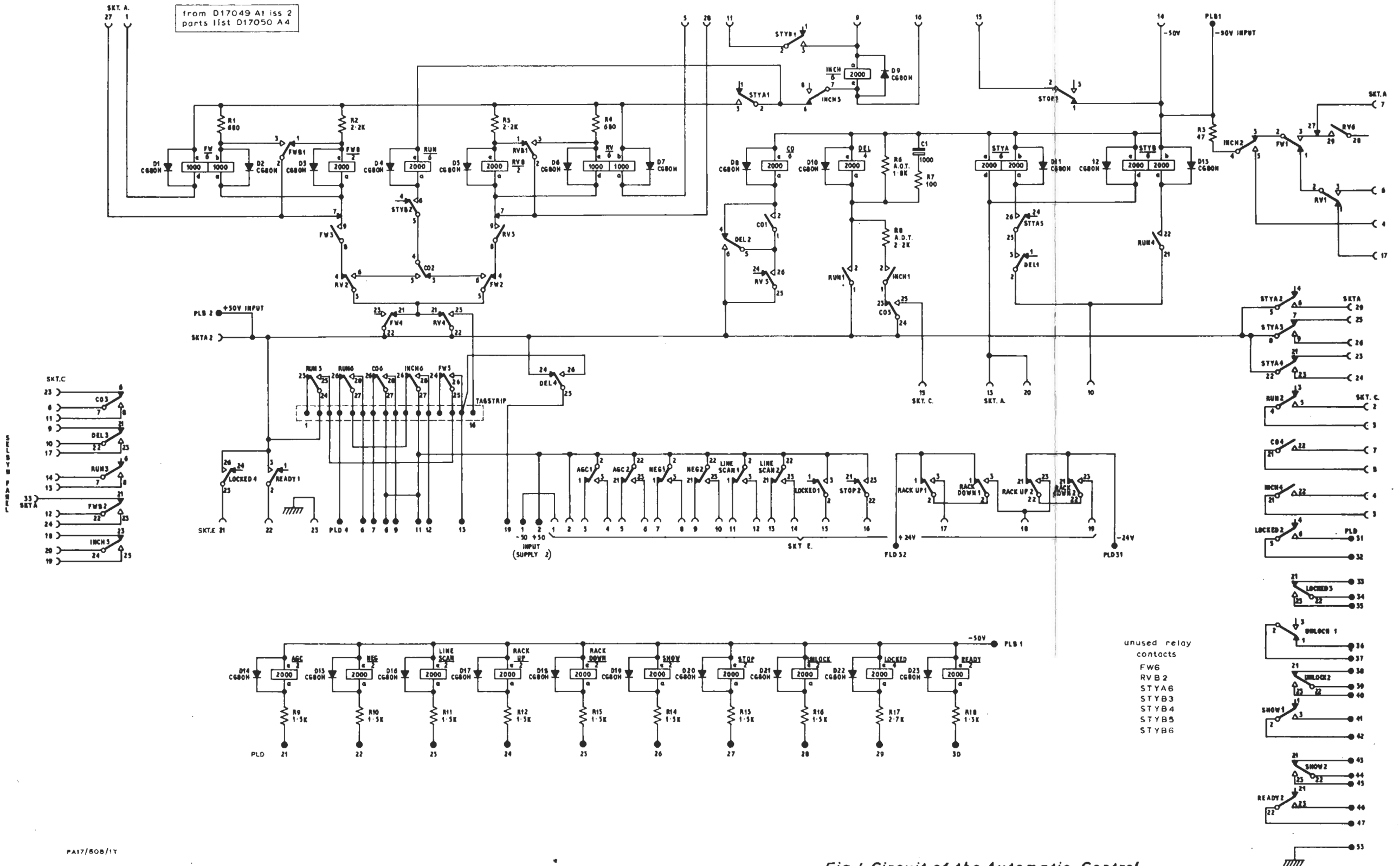


Fig.1. Circuit of the Automatic-Control Relay Panel PA17/508