

**MAIN CONTACTOR RELAY PANEL PA17/510**

The PA17/510 forms part of a telecine equipment<sup>1,2</sup> and switches the following supplies to the rest of the equipment:

- Three-phase mains
- Single-phase mains
- 50 volts d.c. (local)
- 50 volts d.c. (station)

The panel is interconnected so that the failure of any supply will remove the other supplies. The circuit diagram is given in Fig. 1. The panel is described, in conjunction with associated control

circuits, in the Instruction on the parent unit.

The panel is constructed on PN1/9A chassis and consists of 14 relays, the starting resistors for the projector motor and a small transformer (which feeds the indicator lamps on the projector).

**References**

1. 16-mm. Vidicon Telecine EP6/501 (see Designs Dept. Technical Memorandum No. 7.133)
2. 16-mm. Colour Telecine Equipment EP6/505

TES 4/69

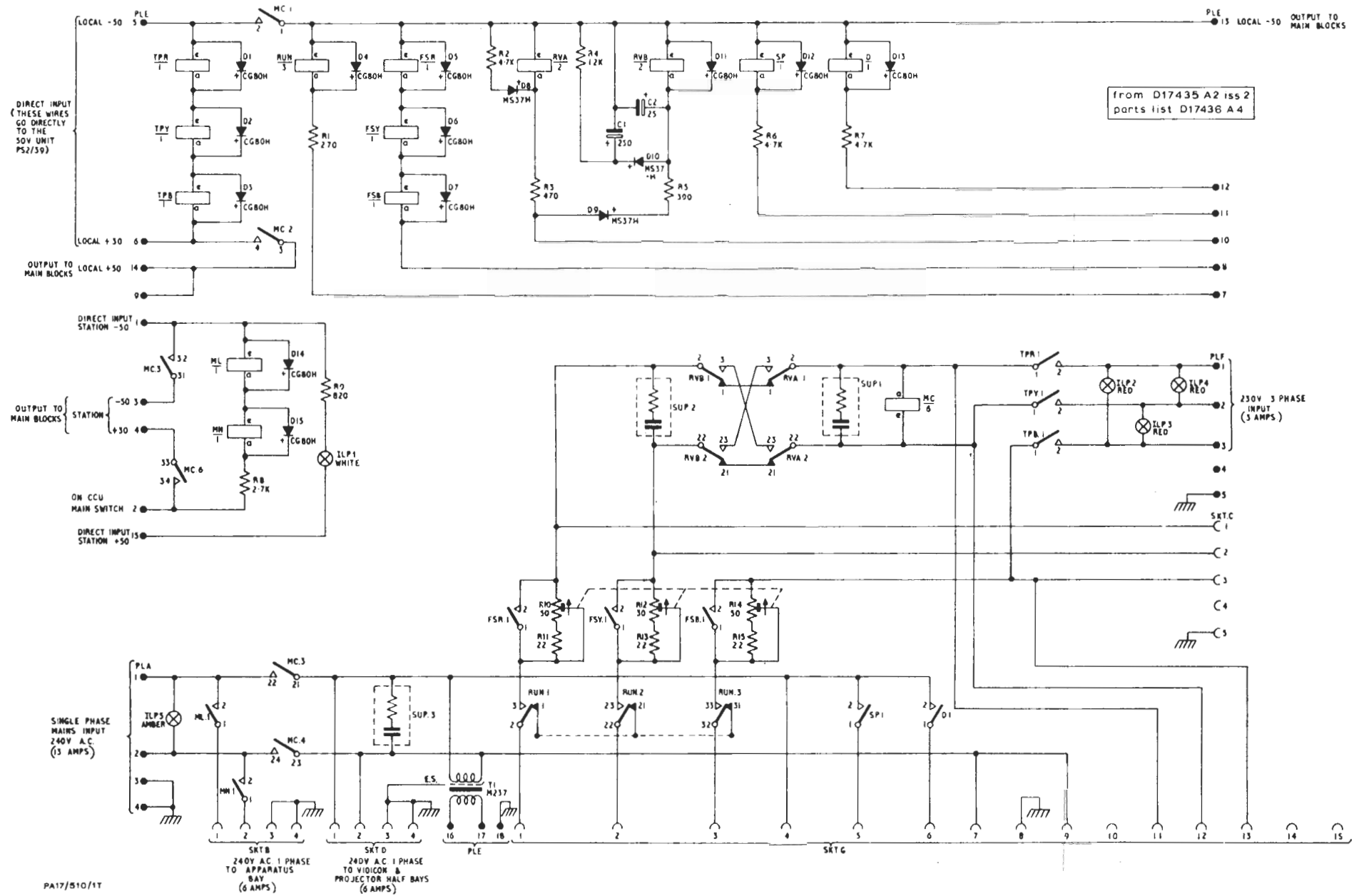


Fig.1. Circuit of the Main Contactor Relay Panel PA17/510