

OUTPUT PROCESSING PANEL PA1M/539

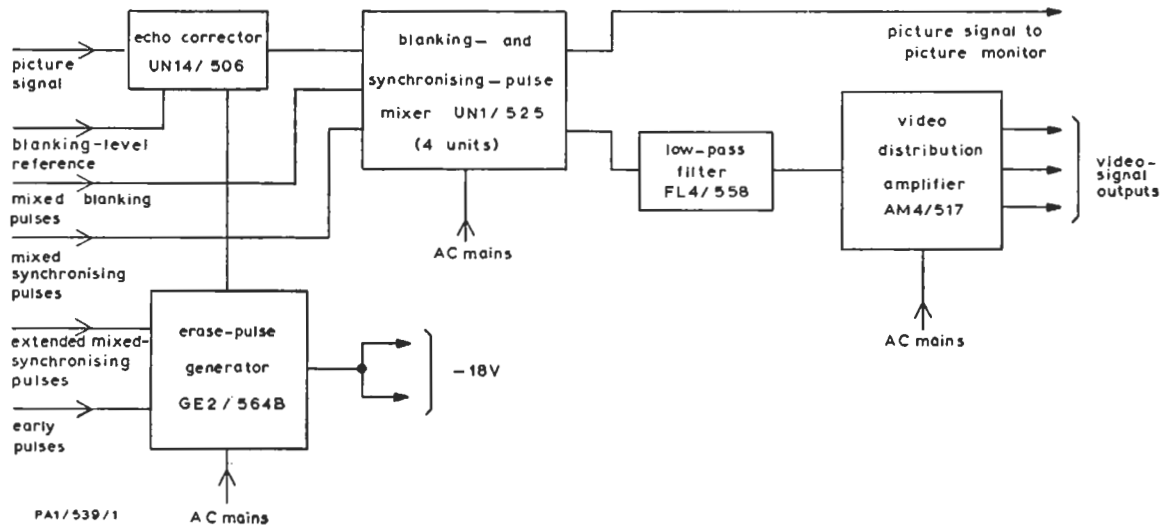


Fig. 1 Block Diagram of the PA1M/539

Introduction

This panel accepts a 4.5-volt, 405-line television blanked picture signal¹, mixed-synchronising, extended mixed-synchronising and mixed-blanking pulses, and a feed of pulses referred to in this Instruction as the 'early' pulses (see below), each of which slightly precedes a synchronising pulse. The panel produces three similar 1-volt video-signal outputs, and a fourth video-signal output suitable for display by a picture monitor. It was originally designed for use in a line-store standards converter, and incorporates correction for the echo which is added to the signal by such converters. In the converter the early pulses are obtained from one of the shift registers.

The input impedance is 450 ohms, the intended source being a head amplifier for which (together with other equipment) a d.c. supply at -18 volts is available from the panel. A blanking-level reference potential and a supply of a.c. mains are required.

The equipment consists of a PN3/23A panel into which is plugged:

- Distribution Amplifier AM4/517
- Low-pass Filter FL4/558
- Erase-pulse Generator GE2/564B
- Blanking and Sync Pulse Mixer UN1/525 (units 1B, 2A, 3, 4)
- Echo Corrector UN14/506

General Specification

Power Supply a.c. mains

Input-signal Amplitudes:

Blanked picture signal	4.5 V p-p
Mixed-synchronising pulses	2 V p-p
Extended mixed-synchronising pulses	4—5 V (approx.)
Mixed-blanking pulses	2 V p-p
Early pulses	25 V

Input Impedances:

Blanked picture signal	450 ohms (approx.)
Mixed-synchronising pulses	High w.r.t. 75 ohms
Extended mixed-synchronising pulses	High w.r.t. 75 ohms
Mixed-blanking pulses	High w.r.t. 75 ohms
Early pulses	Non-constant

Blanking-level Reference

Potential -12 V (approx.)

Output-signal Amplitudes 1 V p-p

Output Supply Potential -18V

Circuit Description

A block diagram of the panel is given in Fig. 1,

