

AUTOMATIC CONTROL PANEL PA6/59

The PA6/59 comprises two relays and two sockets, see Fig.1. It is used to key the output of an oscillator which is used for remote signalling purposes.^{1,2} The relays require a 50 volt d.c. operating supply.

The unit is designed for mounting on a 19 in. bay framework and takes up about 1 1/2 in. of panel space.

References to Typical Associated Equipment

1. Oscillator OS2/31.
2. Telephonic Indicator Panel TIP/2, 2A and 2B.

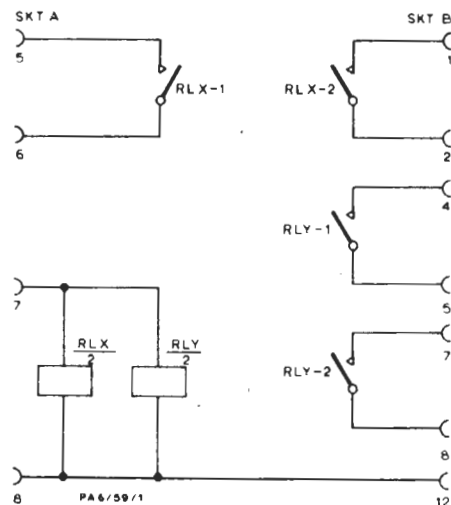


Fig. 1. Circuit of the PA6/59