

P.P.M. AND LOUDSPEAKER CONTROL PANELS PA8/264A AND PA8/264B

Introduction

The PA8/264A is an auxiliary panel for use with Type D sound equipment. It provides control facilities for the sound mixer's loudspeaker in a television studio gallery, and in a typical installation, where the desk may be divided into left and right-hand sections for split working, it is the right-hand monitoring panel and monitors either the main local output or the right-hand output. In this case the left-hand output is monitored by the left-hand monitoring panel PA8/266A which controls a second loudspeaker.

The panel PA8/264A carries a P.P.M. movement for use with an external programme meter ME12/4, controls for loudspeaker volume dimming and cutting, and a programme selector switch.

The panel PA8/264B is similar but is modified for use in Television News Studios. The only difference is in the engraving for the selector switch, corresponding with the different sources which it is required to monitor. The equipment is contained in a CH1/37B chassis having overall dimensions of 7 by 4½ by 10½ inches.

General Description (Figs. 1 and 2)

The P.P.M. movement, ED 1478, is mounted at the top of the panel. Beneath it on the left is a three-position locking key which in its mid position connects the loudspeaker to the programme selected by the two-pole 12-way switch at the bottom of the panel. In the other positions of the switch the loudspeaker is connected either to the local output, or is cut off. On the right is the two-position locking key to cut or dim the loudspeaker using externally mounted relays, and between the keys is the loudspeaker volume control PU/6R/1 which introduces a continuously variable attenuation of up to about 20 dB.

On position 11 of the selector switch (PPM 2) the loudspeaker is connected to the selector arm of the P.P.M. switch on the left-hand monitoring panel, providing additional monitoring facilities.

WWM(X) 1/71

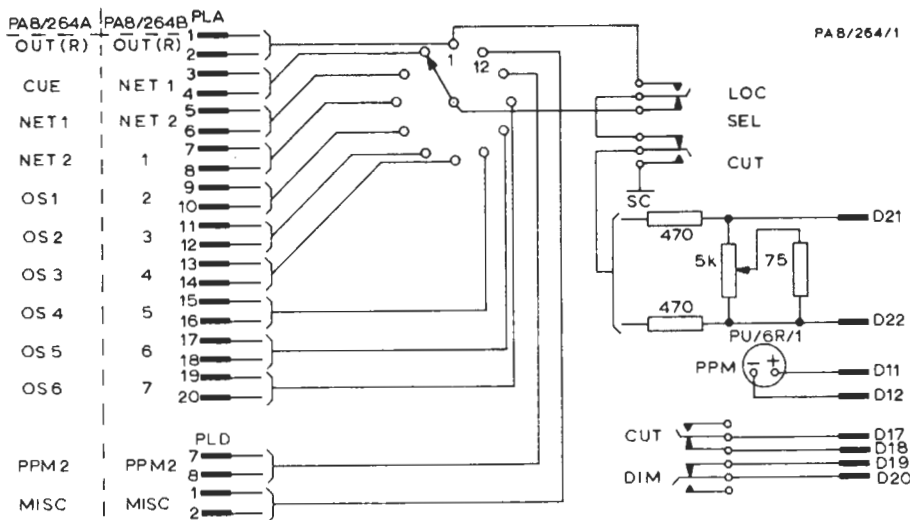


Fig. 1. Circuit of the PA8/264A and PA8/264B

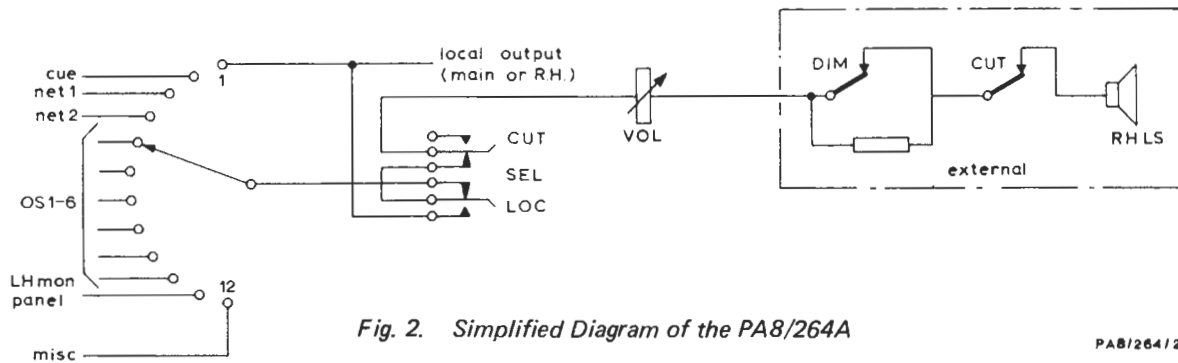


Fig. 2. Simplified Diagram of the PA8/264A

PA8/264/2