

**P.P.M. AND METER SELECTION PANELS PA8/266A AND PA8/266B**

**Introduction**

The PA8/266A is an auxiliary panel for use with Type-D sound equipment. It is similar to panel PA8/264 and, as described in the Instruction for that panel, it is the left-hand monitoring panel on a desk which is arranged for split working. It provides a source-selector switch for aural and visual monitoring and controls for loudspeaker volume and cutting.

The PA8/266B is similar, but the selector switch engraving provides for different programme sources, and the loudspeaker controls are not fitted.

The equipment is contained in a CH1/37B chassis having overall dimensions of 7 by 4½ by 10½ inches.

**General Description (Figs. 1 and 2)**

The front panel layout of the PA8/266A is the same as for the PA8/264. The loudspeaker key and volume control are designated *LS2* and control a second loudspeaker when the desk is set for split working. The 23-way selector switch gives visual monitoring at selected points using an external programme meter ME12/4 (*PPM 2*). (The selector switch output is also taken to a position on the selector switch of the right-hand monitoring panel PA8/264.) With the loudspeaker key at *Select*, the loudspeaker is connected to the same points for aural monitoring. The key on the right of the panel disconnects the external optical programme meter and substitutes a 600-ohm resistor.

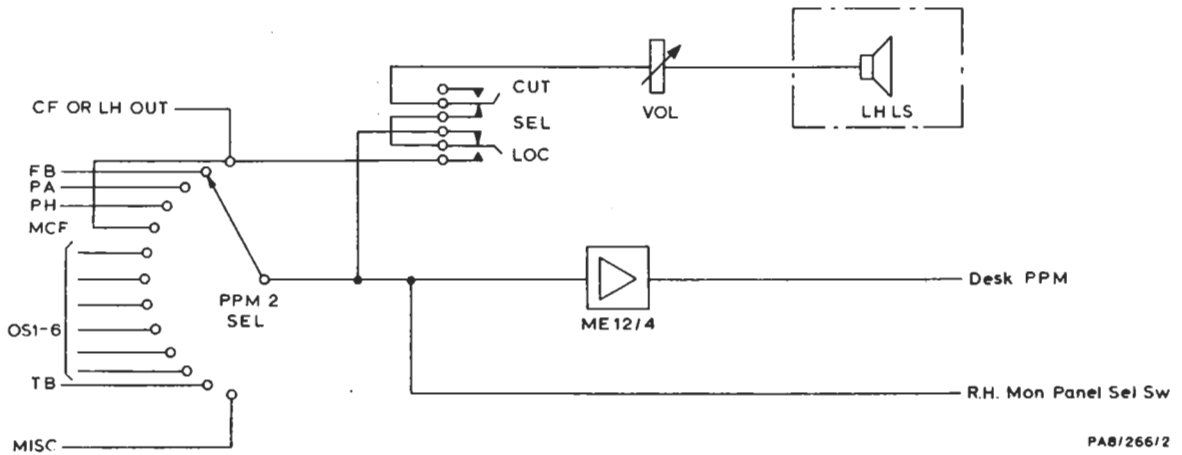


Fig. 2. Simplified Diagram of the PA8/266A

WWM(X) 1/71

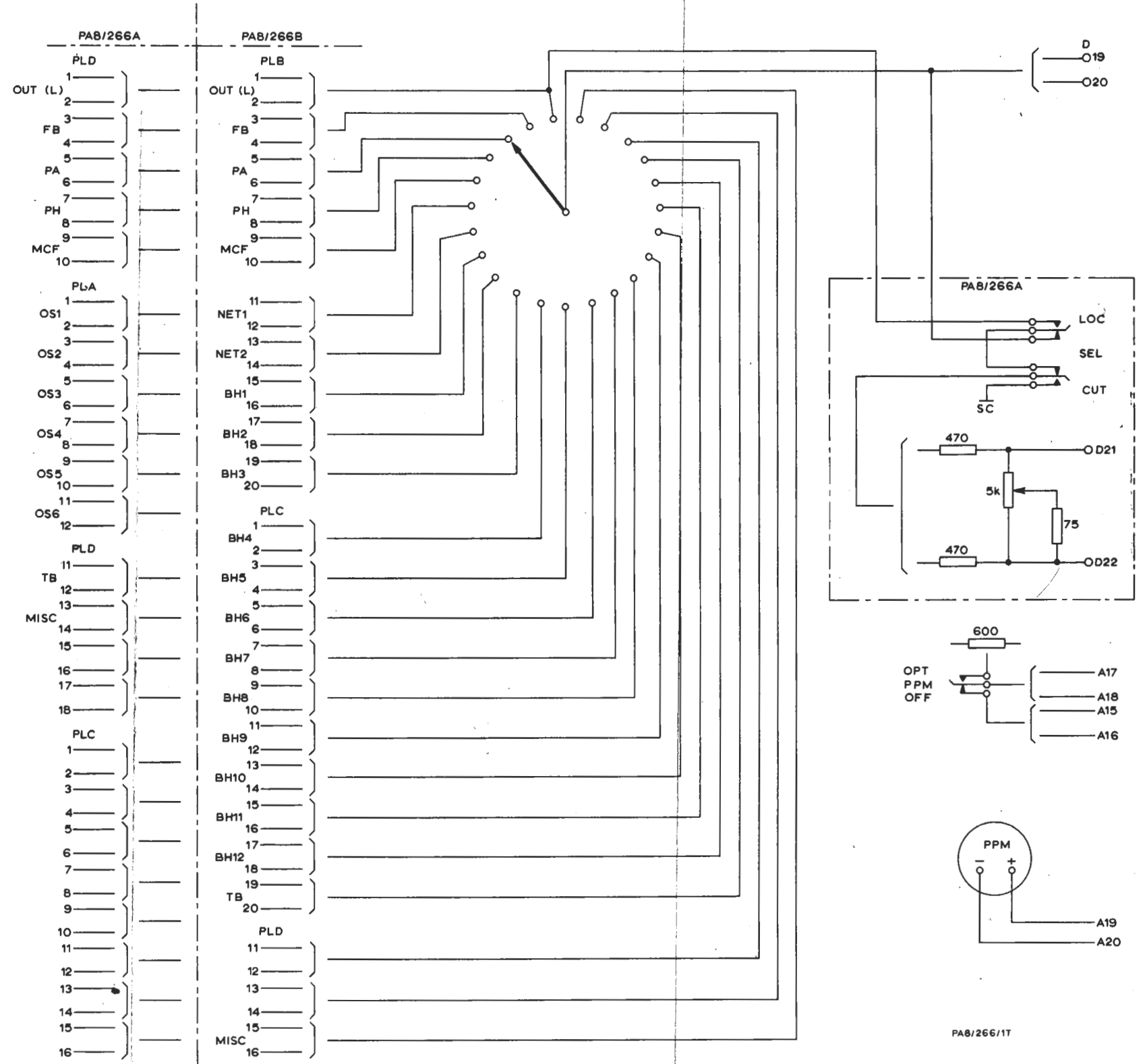


Fig.1.Circuit of PA8/266A & B