

SOURCE SELECTION PANEL PA8/306

General Description

The source selection panel PA8/306 is used to control a motor uniselector system. It carries two sets of internally illuminated indicators, one for each of two sets of uniselectors, selector keys for each of the uniselector sets, and a common set of three marking switches of the thumb-wheel type. The marking switches may also be shared by additional selectors with their indicators located elsewhere.

tor circuit will be found in the Designs Department Technical Memorandum 3.33(60). A development of the earlier circuit is that a transistor is used in place of a relay contact to interrupt the start relay circuit. Normally this transistor is fully conducting, but the application of an earth to its base cuts the transistor off. This switching earth is obtained from the selector hold alarm fault indicator panel IN5/3, which contains the necessary control switches and alarm circuits.

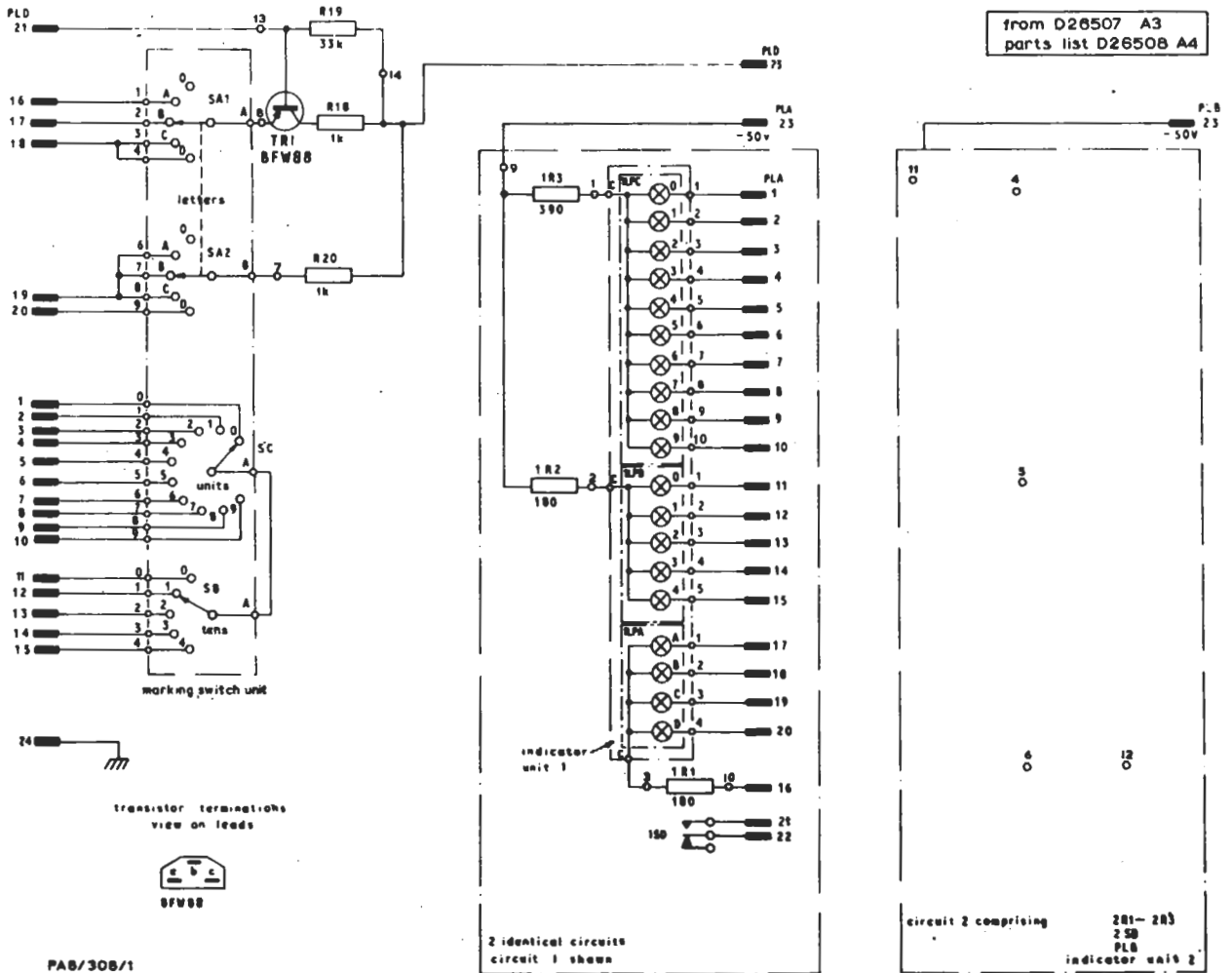


Fig. 1. Circuit of the PA8/306

Access to the individual lamps is from the front of the panel. Part of the lamp housing bezel pivots to release a catch, and the housing can then be withdrawn through the panel.

The equipment is mounted on a CH1/37B chassis having overall dimensions of 7 by 4½ by 10¼ inches.

Circuit Description (Fig. 1)

A general description of the operation of the selec-

The two display units are wired to separate connectors and derive their power supplies from their corresponding selector circuits. The battery feed for the marking circuit is obtained from a separate supply point.

The illuminated indicators are made by 'Counting Instruments' and use lamps each taking 115 mA at 5 volts d.c.