

SECTION 9

MIXER FADE DESK PANEL PA8/509

This panel forms part of a studio production-control desk (see Video Mixing Equipment, Instruction V.15.) It provides the same facilities

as the Mixer Fade Desk Panel PA8/503. A circuit diagram is given in Fig. 9.1.

TES 1/67

See overleaf for Fig. 9.1

Instruction V.13
Part 8, Section 9

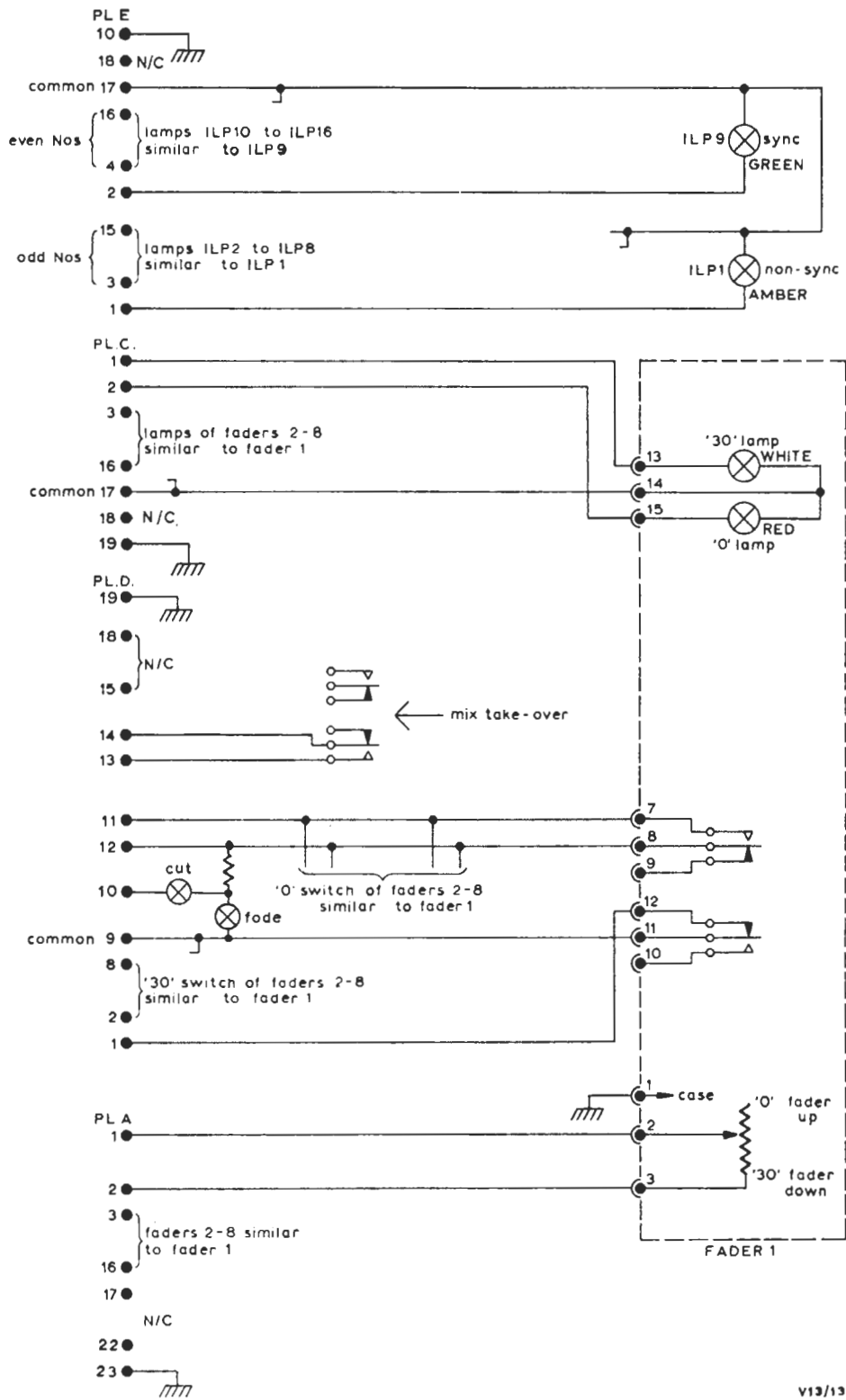


Fig. 9.1 Circuit of the PAB/509

V13/13