

DISTRIBUTION PANEL PA9/510

The PA9/510 is a junction point for up to nine vision signals which can be connected, by means of coaxial cable links, to two output sockets, see Fig.1. The vision inputs are made to type-C coaxial sockets on the rear of the panel. All linking is carried out between type BNC sockets on the front of the panel.

The PA9/510 carries also a 10-dB rotary attenuator and a two-input mixing pad. The inputs and outputs of these components are available at sockets on the front of the panel. The unit is designed for mounting on a 19 in. bay framework and occupies 3 in. of bay height.

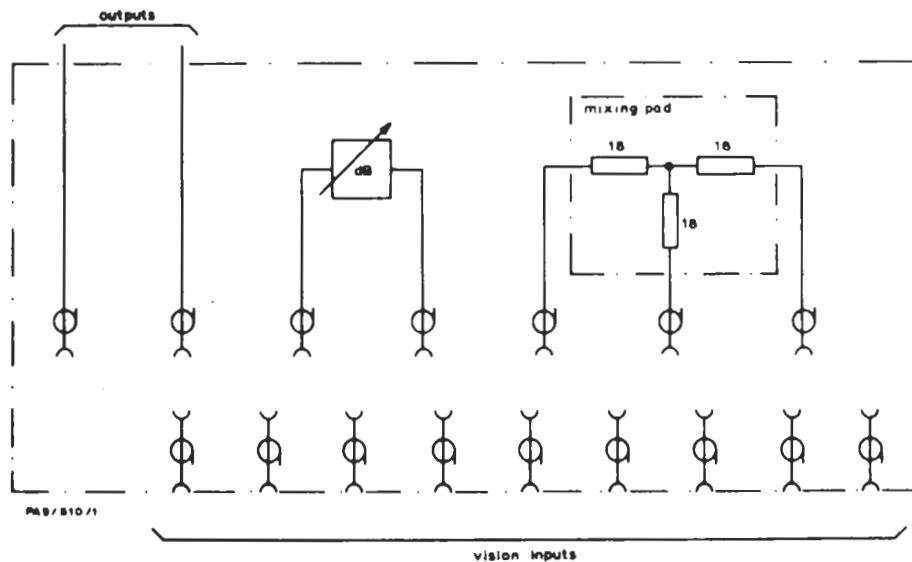


Fig. 1 Circuit of the PA9/510