

POWER SUPPLIER PS1/10

General

The PS1/10 consists of a modified PS2/22B stabilised power supplier with an output of 500 mA at 12 volts along with an unstabilised supply of nominal output 700 mA at 24 volts. The circuit is given in Fig. 1.

It forms part of the MD1/502 Wide Band Sound and Vision Modulator and is built on to a CHI/12A chassis with index pegs 13 and 16.

Maintenance

Routine maintenance is not required but the following checks may be made if the performance is suspect.

1. The no-load output voltage at PLA4 should be 12 V. This is set by R6 which has a value of 1.3 kilohms approximately.
2. The change of voltage at PLA4 between no load and full load (500 mA) should be less than 2%.

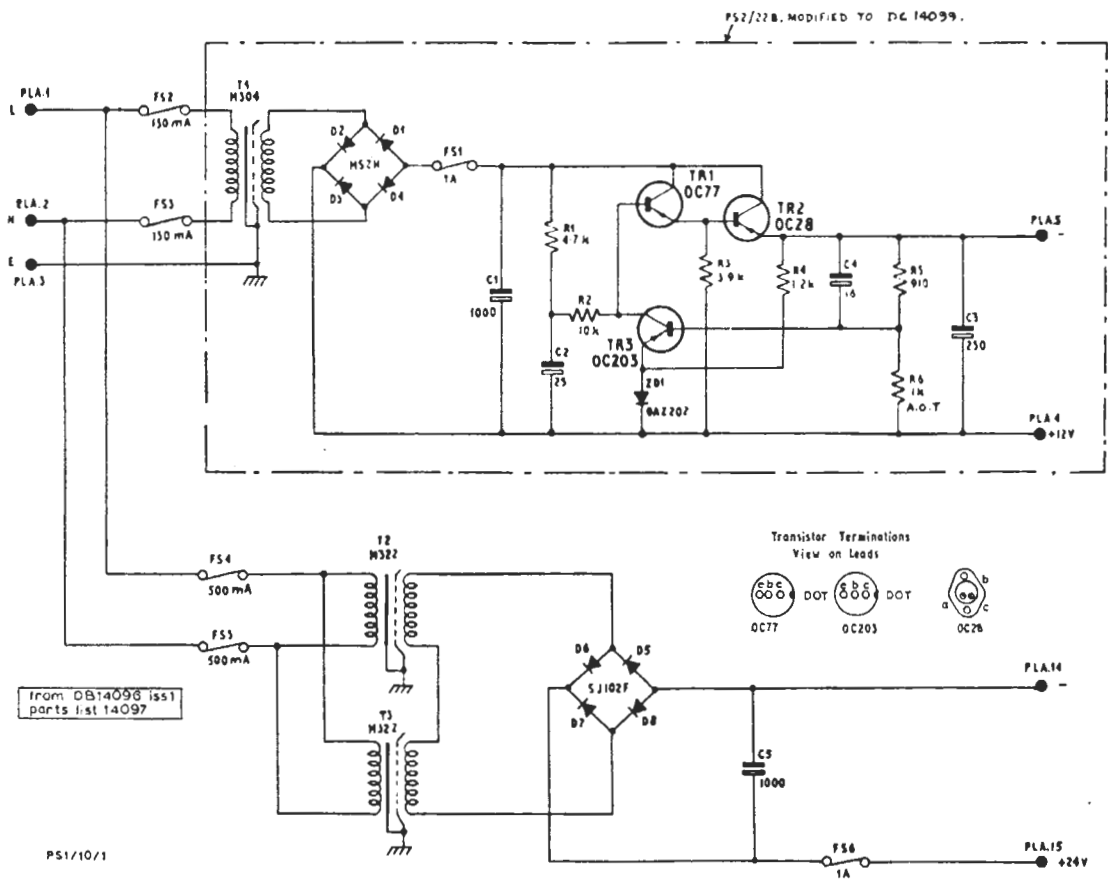


Fig. 1. Power Supplier PS1/10

3. At full load the ripple at PLA4 should be less than 5 mV p-p.
4. If the mains input voltage is varied by $\pm 5\%$ from the nominal 240 V, the change of output voltage at PLA4 with full load should be less than 1%.
5. The output voltage of the unstabilised supply at PLA15 should be 28 V ± 1 V at 700 mA.

Reference

1. Designs Department Specification No. 4.22(65).
AIB 6/70