

POWER SUPPLIER PS1/16

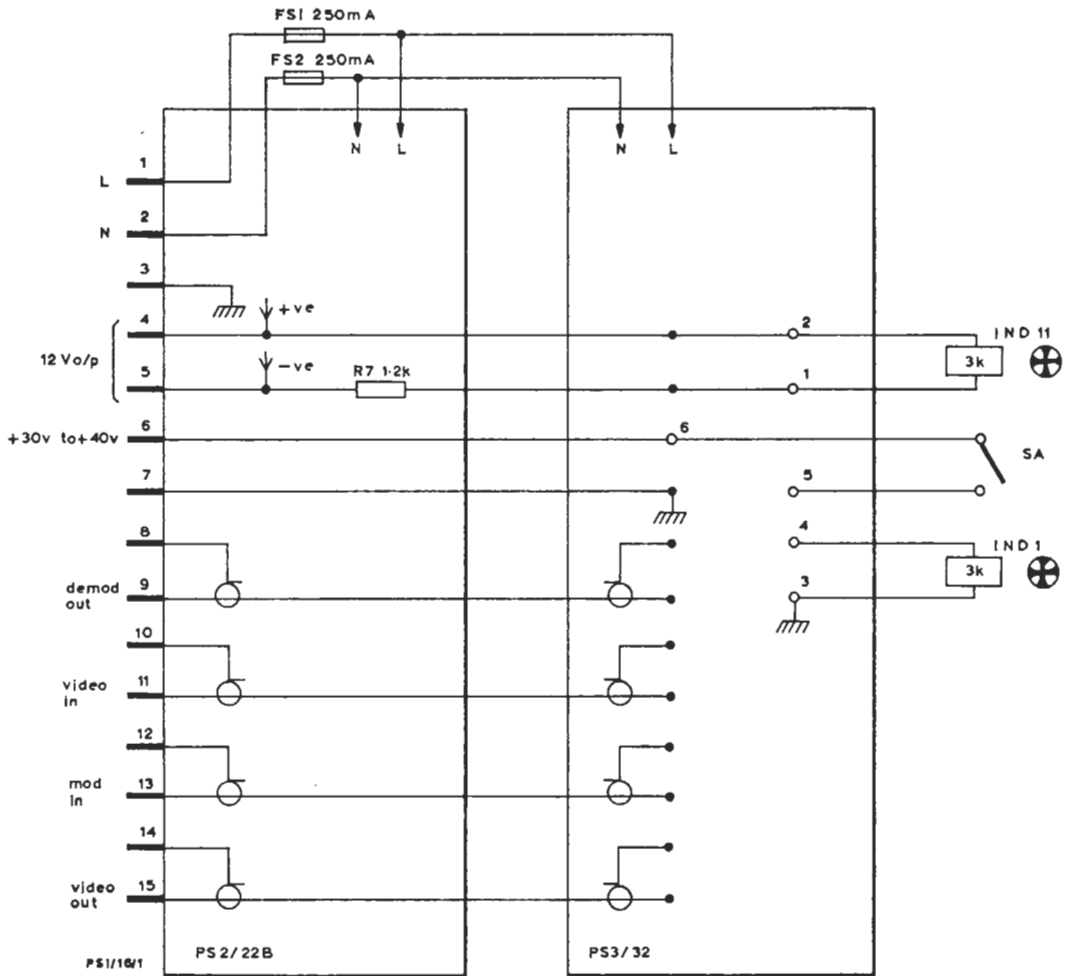


Fig. 1. Circuit of the PS1/16

The PS1/16 comprises a PS2/22B and a PS3/32 mounted on a CH1/12A chassis with index-peg positions 8 and 27. The PS2/22B provides a 12-volt stabilised supply at 0.5 amps and the

PS3/32 provides a 30-volt unregulated supply at 0.4 amps. The PS3/32 includes a relay-operated video bypass circuit.

The circuit of the PS1/16 is given in Fig. 1.

MJR 3/68