

POWER SUPPLIER PS1/6

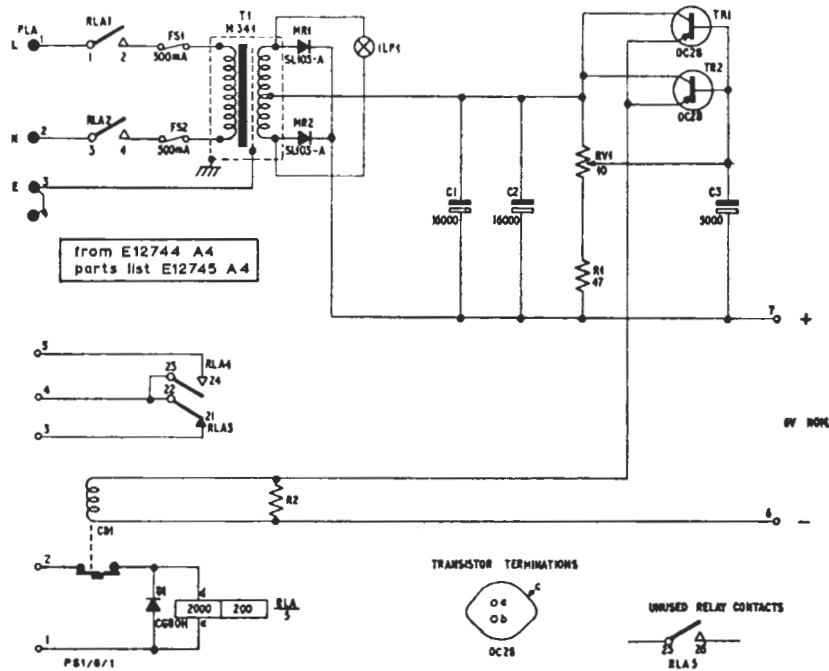


Fig. 1 Circuit of the PS1/6

The PS1/6 accepts a 240-volt mains input and provides a d.c. output of 5 amps at 6 volts. The unit is primarily intended to provide power for the Comopt sound exciter lamp in telecine equipments.

The circuit diagram is shown in Fig. 1. The circuit is conventional and comprises a full-wave rectifier followed by a simple series-stabiliser. Overload protection is provided by an electromagnetic cut-out which operates at about 13 amperes. When the cut-out operates it interrupts

the 50-volt supply to relay RLA and contacts RLA-1 and RLA-2 interrupt the mains supply. A remote indication of whether or not the supply is working can be provided via contacts RLA-3 and RLA-4.

The output voltage is set by adjustment of RV1.

The ripple voltage across the output, as measured by an ATM/1 in series with a 2- μ F capacitor, should not exceed 0.05 V (-34 dB).

TES 10/68