

SECTION 9

9-VOLT POWER SUPPLIER AND AUDIO-SIGNAL PROCESSING UNIT PS1/9

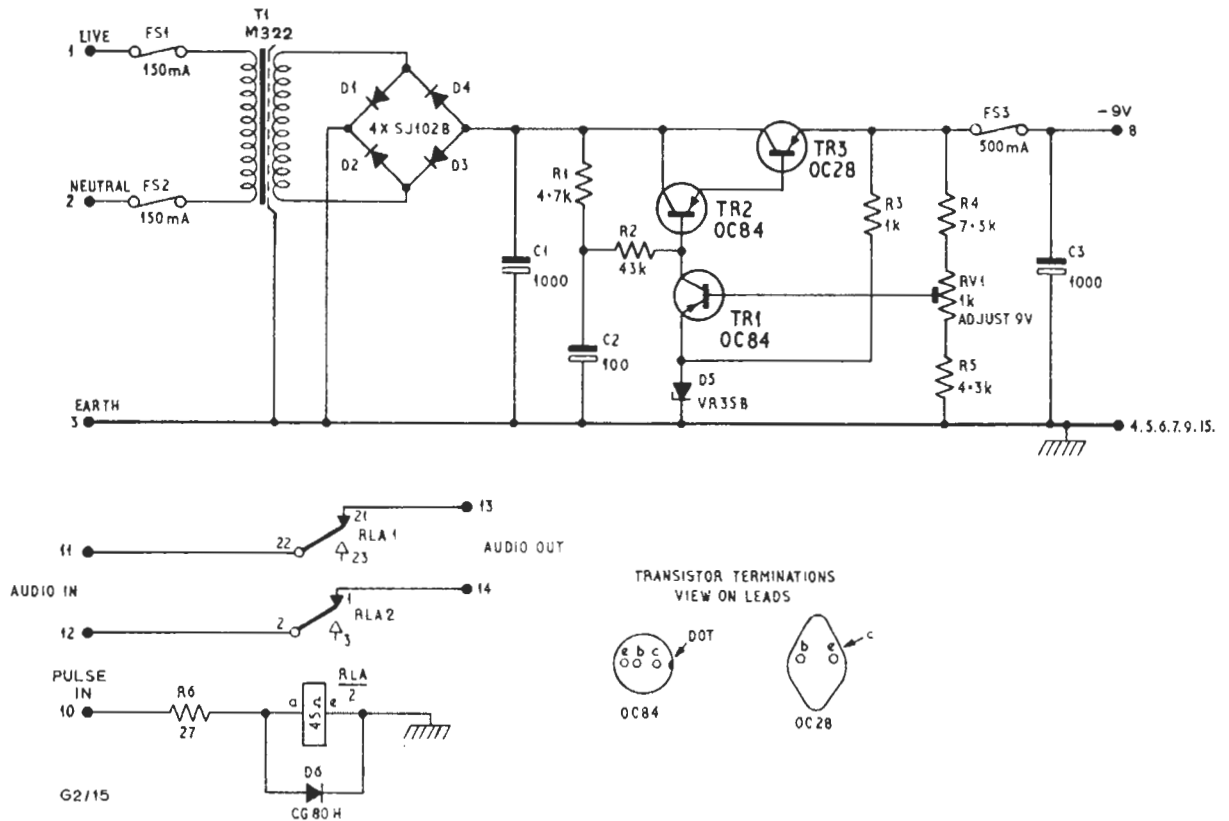


Fig. 9.1 Circuit of the PS1/9

Introduction

This unit accepts a mains input at 240 volts, an interrupted d.c. input¹ and an audio-signal; it provides outputs of stabilised d.c. at -9 volts and an interrupted audio signal.²

The unit is constructed on a chassis type CH1/12B with index-peg positions 1 and 21.

Circuit Description

A circuit of the complete unit is shown in Fig. 9.1. It comprises a conventional stabilised power supply circuit and a processing circuit which serves to interrupt the audio input.

The power-supply section comprises a mains transformer with an output of 12 volts, a bridge-

rectifier circuit and a series-stabiliser circuit TR1, TR2, TR3 and zener diode D5. The potential of the output is set by RV1.

The processing section consists of a relay energised by the interrupted d.c. input. The audio input is connected via normally closed contacts of the relay and is therefore interrupted when the relay is energised.

References to Typical Associated Equipment

1. 6-Volt Power Supplier and Flasher PS1/8, Instruction G2.
2. Video Tape Recorder Identifying Unit EP1/502, Instruction V.15.