

STABILISED POWER SUPPLIERS PS2/21A TO PS2/21E

21.1 General

The PS2/21 suppliers are mains-operated and they provide low-power d.c. supplies at fixed voltages in the l.v. range. The type is one of two variants of the PS2/13 equipment; the other variant is the PS2/22. Each version has a CH1/12A chassis fitted with one of the five supply units used in paired combination for individual equipments forming the PS2/13 series. This production of one output, instead of two, is the sole difference between the two types.

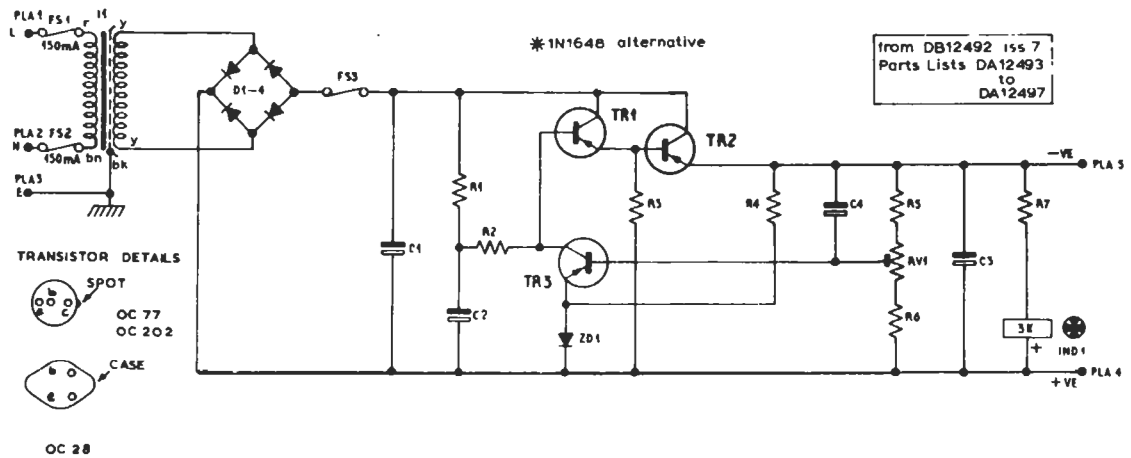
Nominal output voltages and current ratings are as indicated in the table below.

Output ratings are based on limitations to either 6 watts or 500 milliamperes at the nominal output voltage, whichever is least. The range of a pre-setting control for determining the stabilised voltage is sufficient to allow working with output voltages differing slightly from the nominal.

Fig. 21.1 shows the typical circuit arrangement with generalised references to enable component values in all versions to be obtained from the table in this diagram. For further information, refer to the detailed description in Section 13 of Part 2.

Output	Type Suffix-letter				
	A	B	C	D	E
Volts	6	12	18	24	36
Current (mA)	500	500	333	250	166

RAB/0465



from DB12492 Iss 7
Parts Lists DA12493
to
DA12497

UNIT	VOLTAGE	C1	C2	C3	C4	R1	R2	R3	R4	R5	R6	R7	TR1	TR2	TR3	D1-4	ZD1	RV1	T1	F53
PS2/21A	6	2000	25	250	16	2.2K	2.7K	2.2K	510	180	330	10	ACY21, OC28	OC22	OC22	1N646	VR35F	100	M302	1A
PS2/21B	12	4000	25	250	16	4.7K	3.3K	3.9K	1.2K	940	18	1.2K	ACY21, OC28	OC28	OCY31	1N646	DA2202	220	M304	1A
PS2/21C	18	250	25	250	12	4.7K	5.1K	6.2K	2.4K	1.6K	820	3.5K	ACY21, OC28	OCY31	OCY31	1N646	DA2202	220	M303	500mA
PS2/21D	24	250	25	250	12	4.7K	8.2K	8.2K	3.6K	2K	800	3.6K	OC77	OC28	OCY31	1N646	DA2202	470	M308	500mA
PS2/21E	36	100	25	250	12	4.7K	12K	15K	6.2K	5.1K	1K	10K	OC77	OC28	OCY31	1N646	DA2202	470	M301	250mA

Fig. 21.1 Circuit of the PS2/21