

STABILISED POWER SUPPLIERS PS2/22A TO PS2/22F

The PS2/22 suppliers are mains operated and they provide low-power d.c. supplies at a number of fixed voltages between 6 and 36 volts. They differ from the PS2/13 equipments in having only one supply unit, instead of two, and from the

PS2/21 types in carrying additional equipment of an unspecified sort on the CH1/12A chassis. The circuit diagram in Fig.1 gives information about all versions. Other details are given in Instruction PS2/13 and also in PS2/21.

RAB/0465

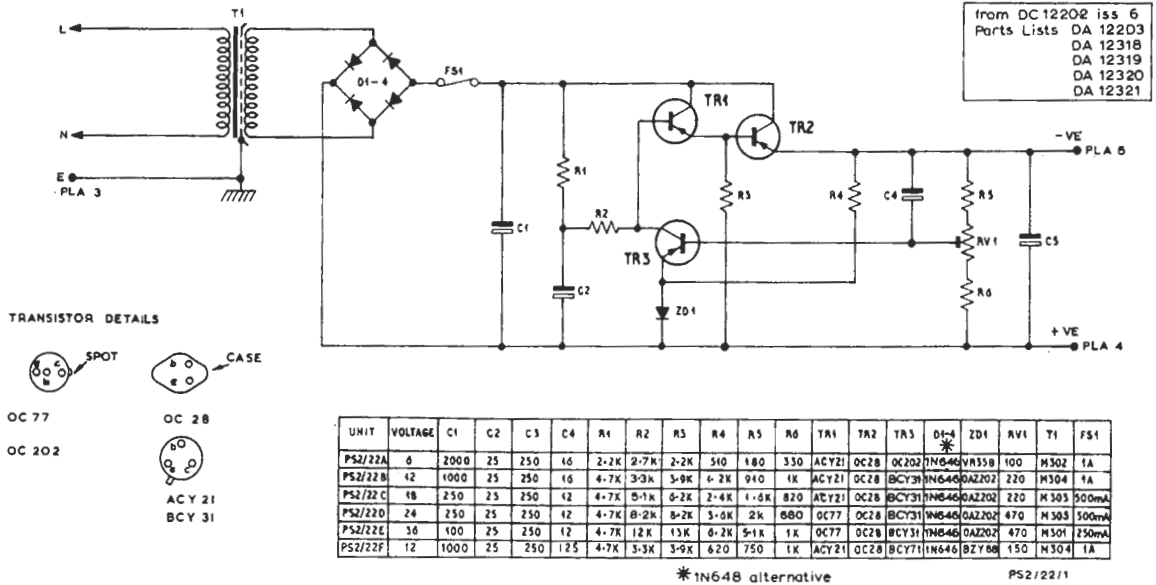


Fig. 1 Circuit of the PS2/22