

POWER SUPPLIER PS2/33

General

The PS2/33 is a modified version of the PS2/22 stabilised power supplier and has an output of 400 mA at 15 volts.

It forms part of the MD1/502 Wide Band Sound and Vision Modulator and is built on to a CH1/12A chassis with index pegs 13 and 18.

The circuit diagram is shown in Fig. 1.

Maintenance

Routine maintenance is not required, but the following checks may be made occasionally or if the performance becomes suspect.

1. The output voltage at PLA4 should be 15 V at no load. This is set by R6, approximately 910 ohms.
2. The change of output voltage between no load and full load (400 mA) should be less than 3%.
3. At full load the ripple voltage at the output should be less than 5 mV p-p.
4. At full load the change in output voltage for $\pm 5\%$ change of nominal mains input voltage (240 V) should be less than 1%.

Reference

1. Designs Department Specification No. 4.20(65).

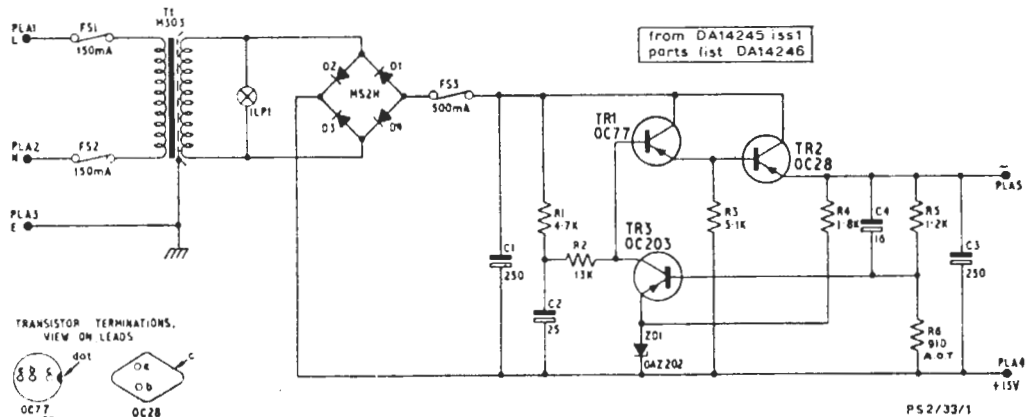


Fig. 1. Power Supplier PS2/33