

SECTION 50

POWER SUPPLIER PS2/50

**Introduction**

The PS2/50 is a conventional power supplier with 24-volt and 12-volt outputs; the circuit is given in Fig. 50.1. The 12-volt output may be commoned with either terminal of the 24-volt output by short-circuiting the appropriate ballast resistor, R9 or R10. Normal power supplier testing techniques (see G2, Part 2, Section 1) are used to ensure that the PS2/50 meets its general specification.

The PS2/50 is constructed on a CH1/12B chassis with index peg positions 2 and 33.

Maximum output current	1.5 amps.
Output resistance	0.3 ohms.
Output impedance at 1 kHz	0.3 ohms.
Maximum ripple voltage (1.5 A load)	3 mV p-p
Maximum ambient temperature	55°C.
Maximum temperature coefficient	5 mV/°C.

*12-volt output*

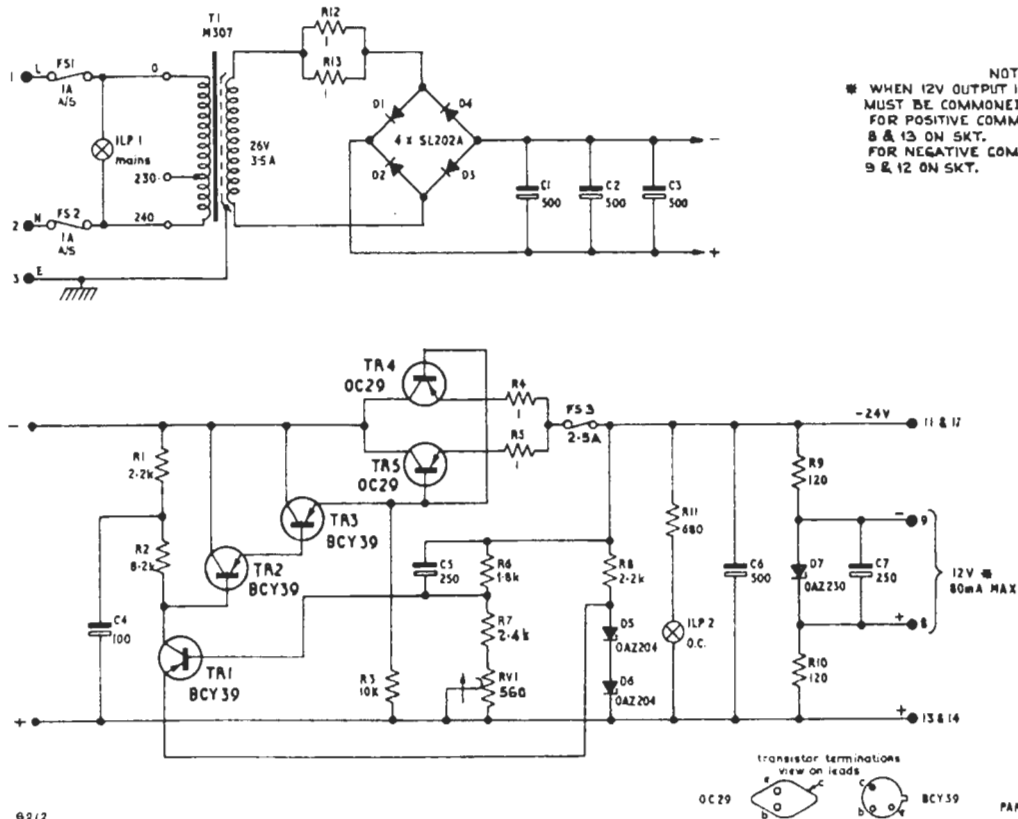
Output voltage	12.2 ± 0.6 volts.
Maximum output current	80 mA.

**General Specification**

*24-volt output*

Output voltage 24.0 volts.

MJR 9/66



NOTES  
\* WHEN 12V OUTPUT IS REQUIRED ONE SIDE MUST BE COMMONED TO 24V SUPPLY. FOR POSITIVE COMMON, STRAP TAGS 8 & 13 ON SKT. FOR NEGATIVE COMMON, STRAP TAGS 9 & 12 ON SKT.

Fig. 50.1. Circuit of Power Supplier PS2/50