

**POWER SUPPLIER PS2L/94**

The PS2L/94 incorporates suppliers type PS2/118, PS2/121K and PS2/121Q as shown in Table 1 below. It employs a panel type PN3A/16C and occupies three standard module widths (6<sup>3</sup>/<sub>8</sub> inches).

If the unit is checked in isolation, pins 10 and 11 of the Painton output connector must be temporarily joined before the output of the PS2/118 can be measured.

TABLE 1

Sub-Unit	Output (V)	Max. Current (A)	Output Connector Pin Nos.		
			1ve	-ve	ref.
PS2/118	5.25	2.0	10	9	11
PS2/121K	12	0.65	2	1	—
	12	0.65	4	3	—
PS2/121Q	24	0.35	6	5	—
	5.25	1.0	8	7	—

Fig. 1 shows the unit interconnections.

**Reference**

1. Designs Department Specification No.2.331(70)

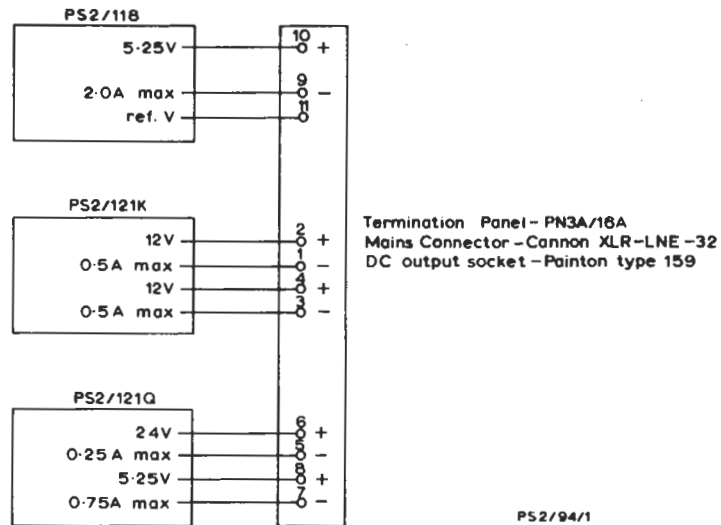


Fig.1 PS2/94: Unit Interconnections