

POWER SUPPLIER PS3/31

Introduction

The PS3/31 (Fig. 1) provides four separate outputs to supply up to four echo plates in conjunction with their associated echo panels PA8/263A on Type-D modular sound-control desks. It requires an input of 240 volts a.c. and the four output voltages are 80 volts d.c. on open circuit, falling to 58 volts at a load of 50 mA. The unit is constructed on a CHI/18C chassis, with index pins in positions 6 and 44.

There is a 100-mA ant surges fuse in the mains circuit and 100-mA standard fuses in the output circuits. The two types should not be transposed; other-

wise a fault in one output may blow the mains fuse, causing loss of all outputs.

General Data

Mains input	240 ±5 volts r.m.s.
Output on open circuit	82 ±2 volts d.c.
Output with a load of 50 ±1 mA	58 ±1 volts d.c.

WWM(X) 4/72

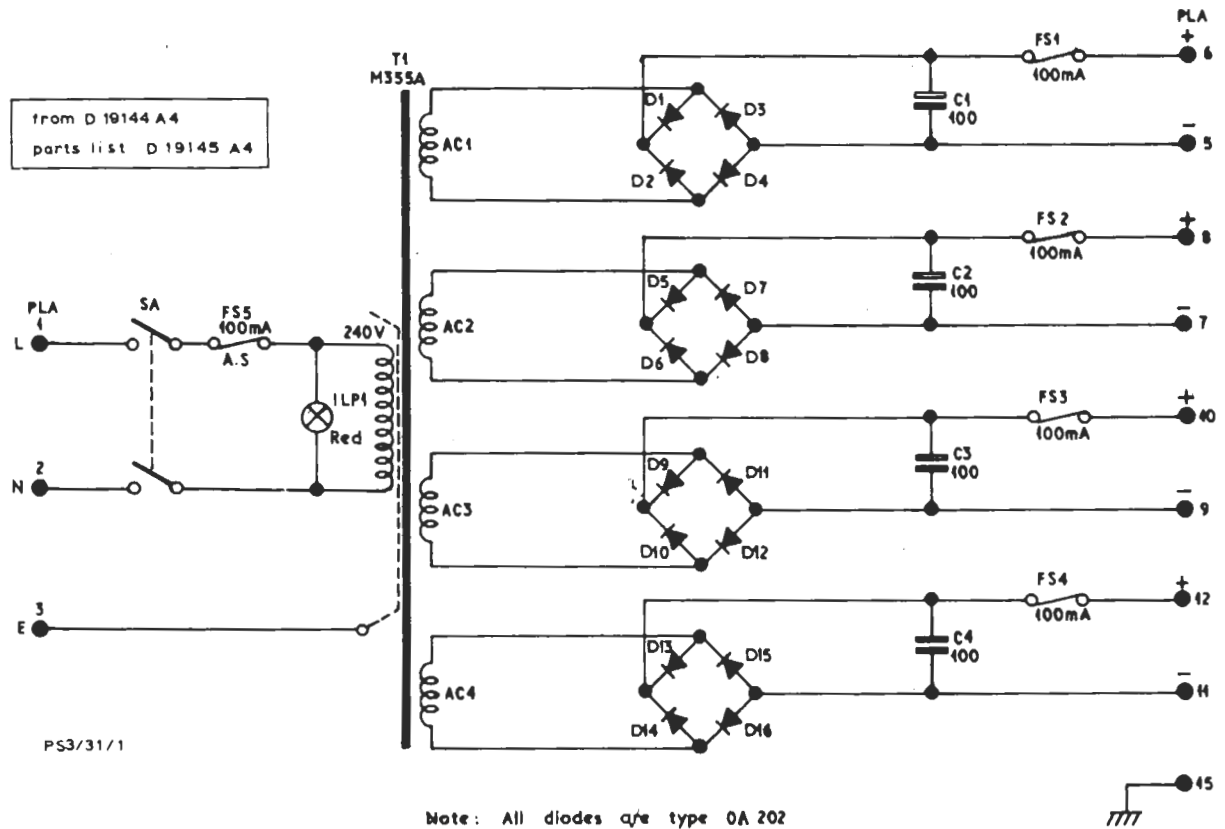


Fig. 1. Circuit of the PS3/31