

POWER SUPPLIER PS3/32

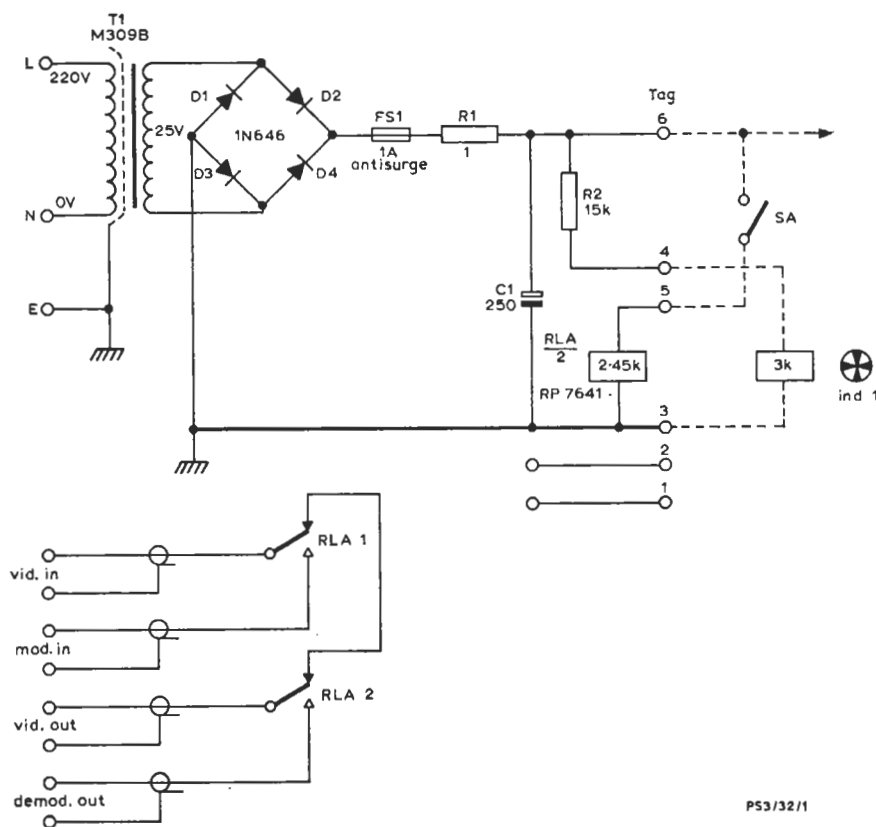


Fig. 1. Circuit of the PS3/32

The PS3/32 is an unstabilised power supplier constructed on a printed wiring board  $4\frac{1}{8}$  in. by  $4\frac{3}{8}$  in. The circuit of the PS3/32, given in Fig. 1,

includes a relay-operated bypass circuit. The d.c. output is 40 volts unloaded and 30 volts at a maximum load of 400 mA.

MJR 3/68