

**POWER SUPPLIERS PS3/35 SERIES**

**Introduction**

The power suppliers PS3/35A, B and C contain 1, 2 or 3 mains transformers M319A, respectively, and provide 1, 2 or 3 centre tapped outputs of 13 volts 1 ampere. CH1/12A chassis are used with 15-way Painton connectors. The units are suitable for studio or mobile use and have index-peg positions 24 and 37. The circuit is shown in Fig. 1.

**Outputs**

A version	0V - 6.5V - 13V, r.m.s.
B version	0V - 6.5V - 13V, 1A r.m.s. twice
C version	0V - 6.5V - 13V, 1A r.m.s. three times

**Operating Temperature Range** 0°C to 45°C

**General Specification**

**Input Voltage** 240V to 250V,  
50Hz

**Reference**

Designs Department Specification No. 10.42(68)  
Designs Department Technical Memorandum No. 10.32(70)

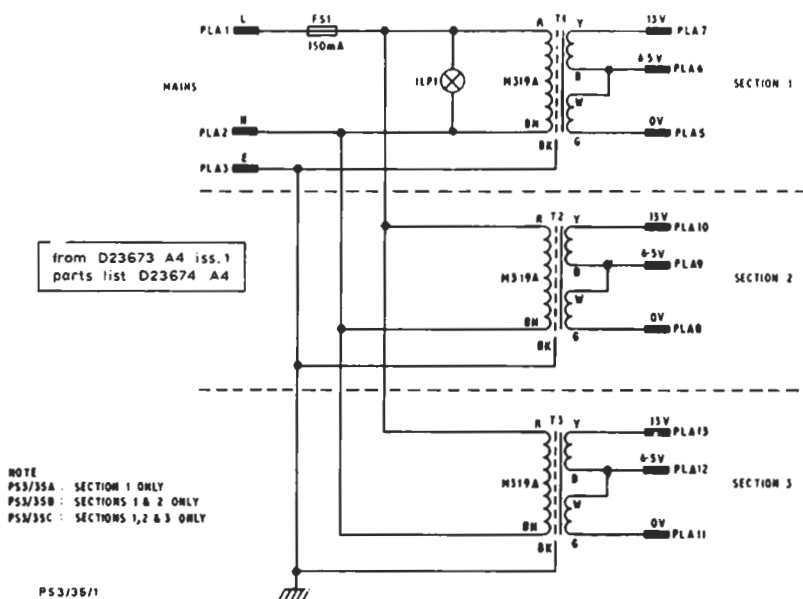


Fig. 1 Circuit of the PS3/35