

## SECTION 7

### UNSTABILISED POWER SUPPLIER PS3/7

#### 7.1 Introduction

The Power Supplier PS3/7 provides the control current for the 8-way Mixer MX8/501. The output of the PS3/7 is approximately 97 volts at the full-load current of 600 mA, rising to 125 volts at no load, and is isolated from earth.

The unit is constructed on a CH1/3 plug-in chassis and all input and output connections are made in a 24-way plug at the rear.

#### 7.2 Circuit Description (Fig. 7.1)

The transformer T1 feeds bridge-connected rectifiers MR1-MR4 and a capacitor-input smoothing circuit C1, L1, C2. The rectifiers are a silicon-junction type and they, although operated below their maximum ratings, must be provided with the fullest possible ventilation to avoid overheating. R1 and R2 are shunt and multiplier

resistors respectively for a Portable Test Meter ME15/3P which can be plugged into socket A. R3 allows the smoothing capacitors to discharge quickly, for safety, if the load on the supplier is disconnected suddenly.

The fuses are anti-surge types, located beneath the chassis at the rear; access to them is obtained by withdrawing the chassis from the rack.

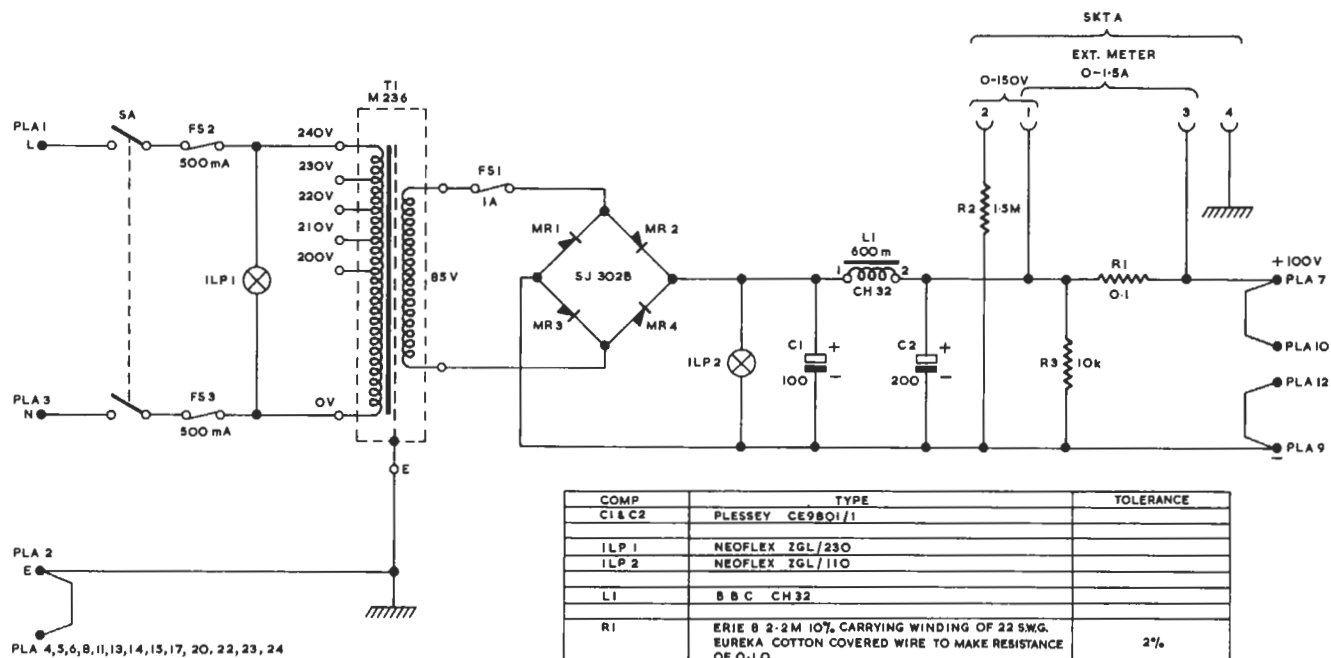
#### 7.3 Output Voltage

The output voltage should be checked at full load and at no load, and should be within 5 per cent of the figures below.

<i>Load Current (mA)</i>	<i>Output Volts</i>
600	97
0	125

AMD. 1260

This drawing is the property of the British Broadcasting Corporation and may not be reproduced or disclosed to a third party in any form without the written permission of the Corporation.



UNSTABILISED POWER SUPPLIER PS3/7 : CIRCUIT