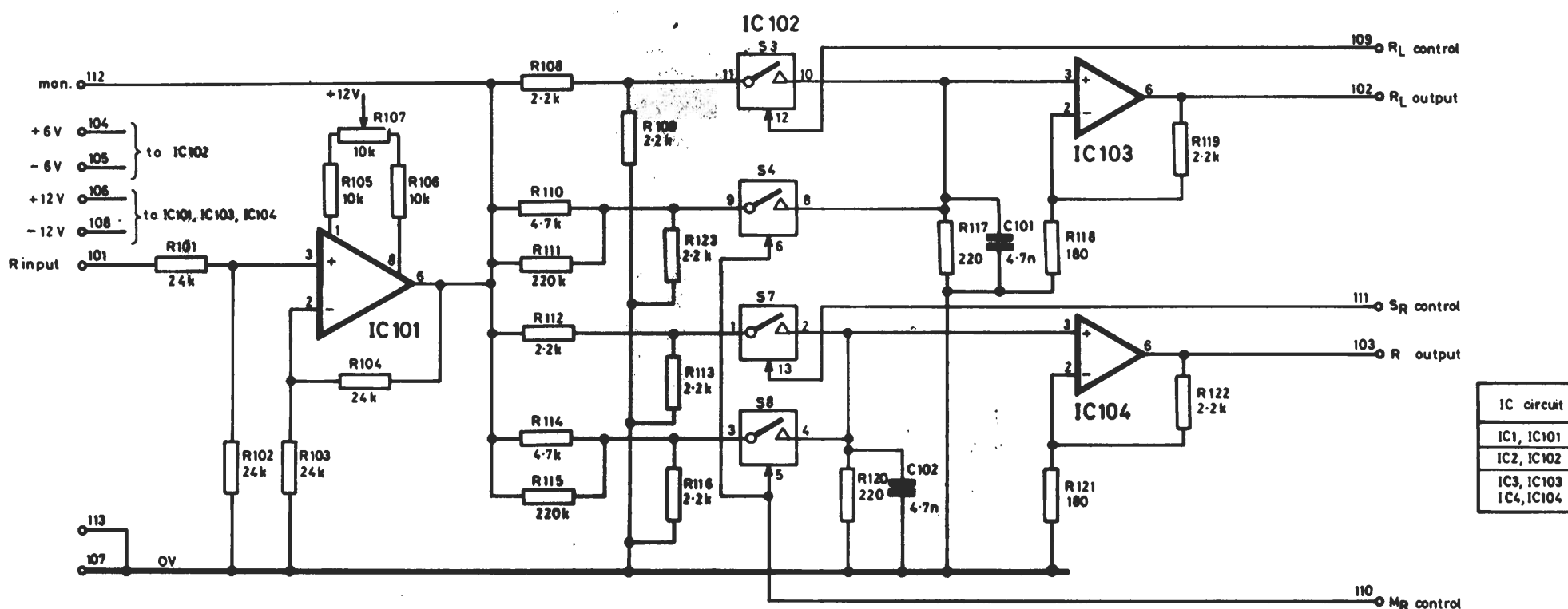
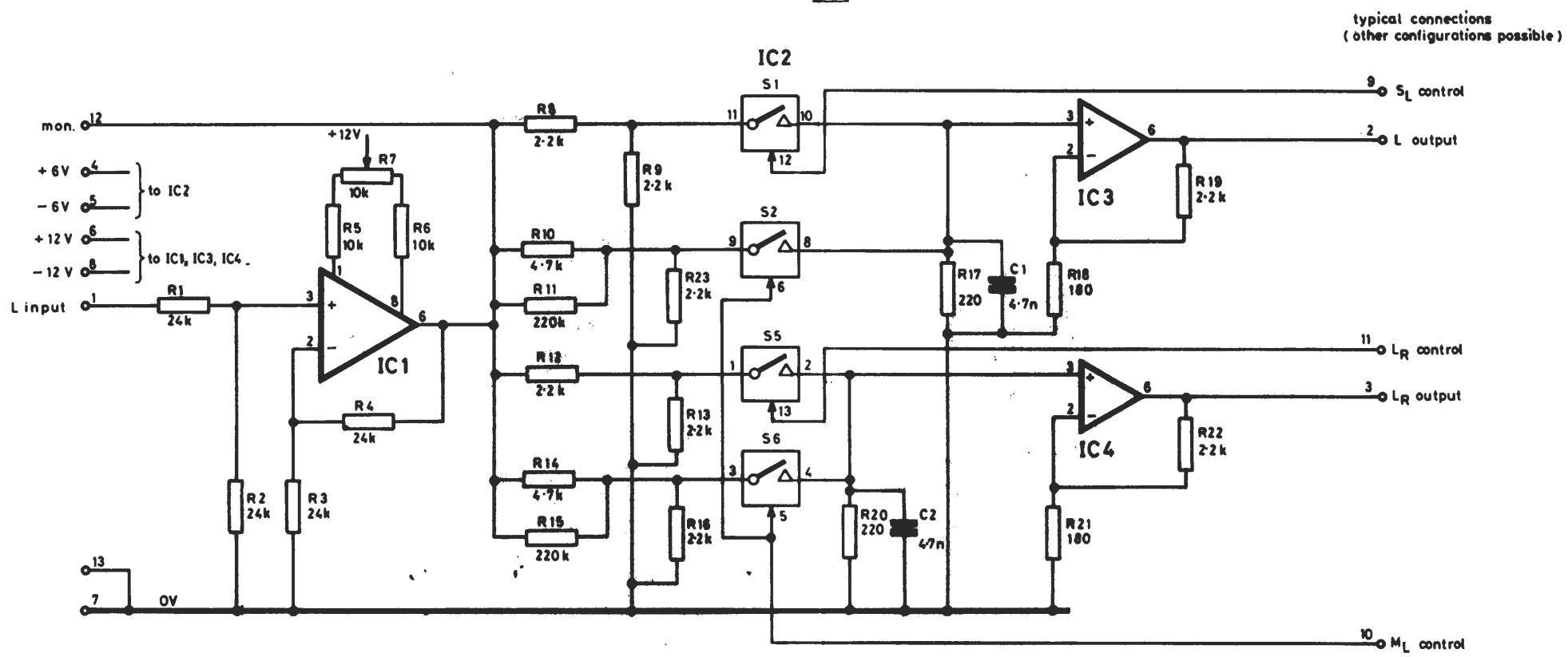
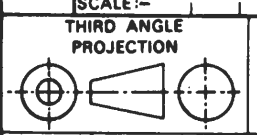


D47767 A2



IC circuit ref.	supply		type
	+V	-V	
IC1, IC101	7	4	LF356N
IC2, IC102	14	7	MOS/DIC 4066BN
IC3, IC103	7	4	NE5534AN
IC4, IC104	7	4	NE5534AN

SCALE:- 0



ORIGINAL FRAME SIZE
400mm x 574mm

ISS	CHANGE	DATE	BY	REASON
1	1	1981	JAB	ISSUED FOR PRODUCTION
2	2	1981	JAB	REVISION

BBC
DS/A2/1
This drawing/specification is the property of the British Broadcasting Corporation and may not be reproduced or disclosed to a third party in any form without the written permission of the Corporation.

PARTS LIST D47768A4

SE2 / 15
AUDIO STEREO-MONO SWITCH UNIT
CIRCUIT

All dimensions in millimetres unless otherwise stated: Normal tolerances: no decimal place — ± 1 mm unless otherwise stated one decimal place — ± 0.3 mm two decimal places — ± 0.1 mm	DRN: <i>AR</i>	DESIGNS DEPARTMENT
	TCD:	
	CKD: <i>pl</i>	D47767 A2
	APPD:	