

**AUTOMATIC CHROMINANCE EQUALISER TESTER TE1/508**

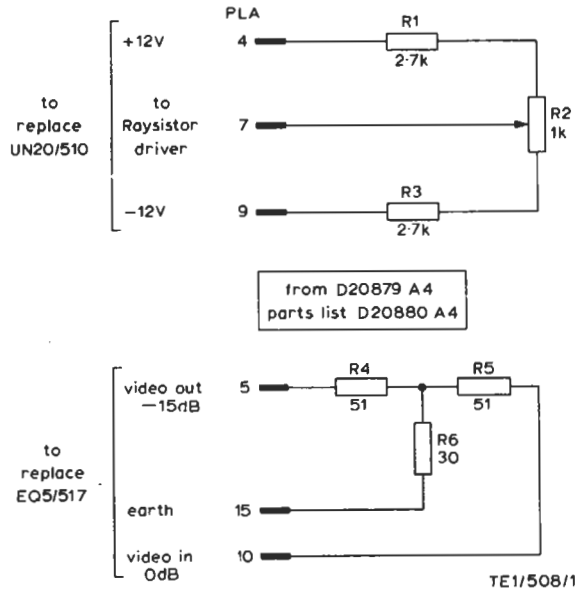


Fig. 1. Circuit of the TE1/508

The TE1/508 (Fig. 1) can be used for test purposes in an Automatic Chrominance Equaliser EQ12/501. The EQ12/501 incorporates a closed control loop, see Fig. 2. The TE1/508 can be used to replace either the EQ5/517 or the UN20/510 and thus allow the chrominance equaliser to be tested in an open loop condition.

The tester is built on a CH1/12A chassis with a single index peg in position 11.

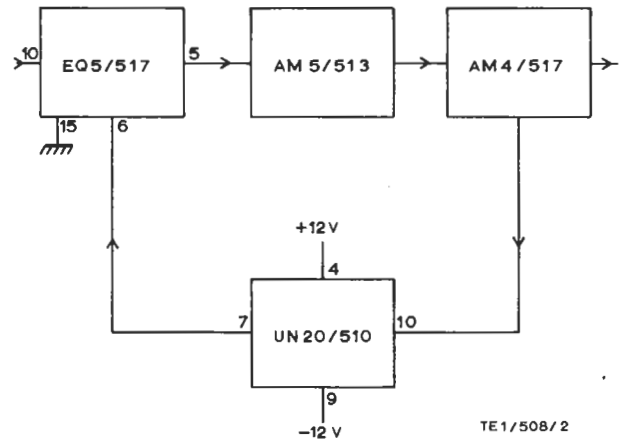


Fig. 2. Simplified Diagram of the EQ12/501